



MORE FEATURES CONTROL VALUE

Hatco Corporation re-introduces the Toast-Qwik® Conveyor Toaster Model TQ-10 with *independent controls for single- or double-sided toasting!* This economical toaster is fast, dependable and versatile, toasting up to 300 slices per hour. Utilizing conveyor speed, not temperature, to determine color, Toast-Qwik allows for instant adjustment of toasting time to match the bread product being toasted. The 2" (51 mm) opening allows toasting of a variety of products including bread, buns, bagels and English muffins. Rugged aluminized steel construction and an internal cooling fan provide reliable performance and cool surface temperatures. The attractive powdercoated top cleans easily and blends with most decors.

Contact your local foodservice dealer for the best deal in town.



Model TQ-10

TQ-10 FEATURES:

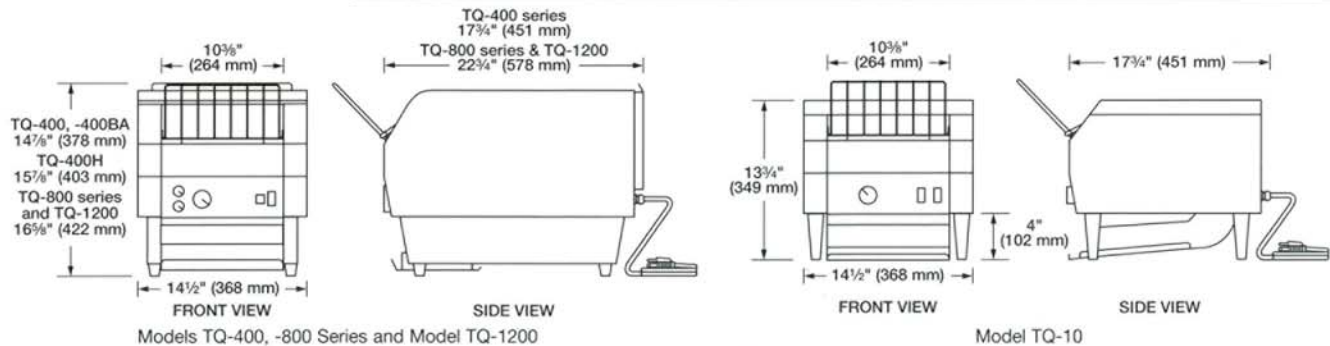
- Economy model with easy-to-use controls for power, conveyor speed and top and bottom heat
- Delivers up to 300 slices per hour
- Independent upper and lower heat controls for single- or double-sided toasting
- Conveyor feeding guide reduces operator time
- Front or rear delivery
- Permanently lubricated ball bearing motor
- Heating elements guaranteed against burnout and breakage for two years
- 6' (1829 mm) cord and plug





TOAST-QWIK[®] ELECTRIC CONVEYOR TOASTERS

Models TQ-400, -400BA, -400H, -800, -800BA, -800H, -800HBA, -1200, -10



SPECIFICATIONS

Model	kW	Type	Cap./Min.†	Shipping Weight
TQ-400	1.8*	All	6 slices	46 lbs. (21 kg)
TQ-400BA	1.8	Bagels or Buns	6 slices	46 lbs. (21 kg)
TQ-400H	2.2	All	6 slices	48 lbs. (22 kg)
TQ-800	3.3	All	14 slices	52 lbs. (24 kg)
TQ-800BA	3.3	Bagels or Buns	14 slices	52 lbs. (24 kg)
TQ-800H	3.3	All	14 slices	52 lbs. (24 kg)
TQ-800HBA	3.3	Bagels or Buns	14 slices	52 lbs. (24 kg)
TQ-1200	4.0	All	20 slices	52 lbs. (24 kg)
TQ-10	1.8	Bread or Buns	6 slices	34 lbs. (15 kg)

† Toasting capacity may vary by product. Toasting of coated products is not recommended.

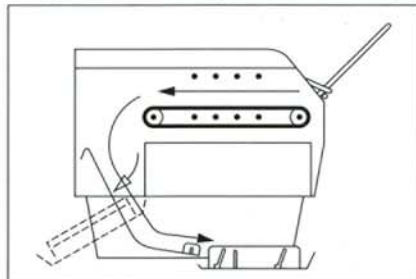
* 120 volts only. 2.2 kW for 208 and 240 volt models.

Toast-Qwik can be shipped United Parcel Service or Roadway Package System.

Selector Chart

(Based on serving 2 slices per customer.)

Number of Customers	Serving Time		
	TQ-400, -400BA, -400H, TQ-10	TQ-800, -800BA, -800H, -800HBA	TQ-1200
30	12 Minutes	5 Minutes	3 Minutes
60	24 Minutes	9 Minutes	6 Minutes
90	36 Minutes	13 Minutes	9 Minutes
120	48 Minutes	18 Minutes	12 Minutes



Product Flow

OPTIONS (NOT FOR RETROFIT)

- Automatic Power Save Mode (TQ-400, -800, -1200 series only)
- Extended Feed Guide (Adds 3" (76 mm)) (TQ-400, -800, -1200 series only)
- Control Cover Bracket

PRODUCT SPECS

Conveyor Toaster

The electric Conveyor Toaster shall be a Hatco Modelas manufactured by the Hatco Corporation, Milwaukee, WI 53234 U.S.A.

The toaster shall have the capacity to toast up topieces per minute and it shall be rated atkW,volts, single phase.

The toaster shall be of stainless steel (or aluminized TQ-10) design and shall include a front mounted control panel with

HATCO CORPORATION P.O. Box 340500 Milwaukee, WI 53234-0500 U.S.A. • (800) 558-0607 • (414) 671-6350
Fax (800) 543-7521 • Int'l. Fax (414) 671-3976 • www.hatcocorp.com • E-mail: equipsales@hatcocorp.com

Form No. TQ10-2003(SS)-1
Revised May 2004

Printed in U.S.A.

DIMENSIONS

TQ-400 & TQ-400BA: 14 1/2"W x 17 3/4"D x 14 7/8"H (368 x 451 x 378 mm).
TQ-400H: 14 1/2"W x 17 3/4"D x 15 7/8"H (368 x 451 x 403 mm).

Tray extends 2 1/2" (64 mm) in rear.

TQ-800, TQ-800BA, TQ-800H, TQ-800HBA & TQ-1200:
14 1/2"W x 22 3/4"D x 16 5/8"H (368 x 578 x 422 mm).

Tray extends 6 1/2" (165 mm) in rear.

TQ-10: 14 1/2"W x 17 3/4"D x 13 3/4"H (368 x 451 x 349 mm).

Maximum Product Size:

TQ-400, -400BA, -800, -800BA, -1200: 9 5/8"W x 1 3/4"H (244 x 44 mm).

TQ-400H, -800H, -800HBA: 9 5/8"W x 2 3/4"H (244 x 70 mm).

TQ-10: 9 5/8"W x 1 1/2"H (244 x 38 mm).

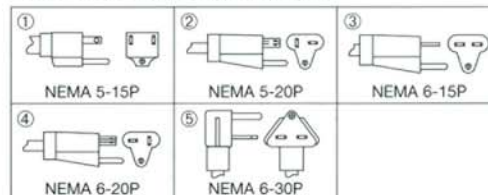
VOLTAGE

120, 208 and 240 volts, 60 Hz, single phase.

CORD LOCATION

Bottom right corner on back of unit.

PLUG CONFIGURATIONS



AMP RATING & PLUG SUPPLIED

Model	120V	208V	240V
TQ-400	15.0 amps ①②*	10.7 amps ③	9.3 amps ③
TQ-400BA	14.8 amps ①②*	9.0 amps ③	7.8 amps ③
TQ-400H	—	10.7 amps ③	9.3 amps ③
TQ-800	—	16.0 amps ④	13.9 amps ③④*
TQ-800BA	—	15.8 amps ④	13.7 amps ③④*
TQ-800H	—	16.0 amps ④	13.9 amps ③④*
TQ-800HBA	—	15.8 amps ④	13.7 amps ③④*
TQ-1200	—	19.4 amps ⑤	16.8 amps ⑤
TQ-10	15.0 amps ①②*	8.8 amps ③	7.6 amps ③

*②④ For Canada.

ACCESSORIES

- 20 Amp Receptacle, 125V (NEMA 5-20R)
- 20 Amp Receptacle, 250V (NEMA 6-20R)
- 30 Amp Receptacle, 250V (NEMA 6-30R)

state-of-the-art electronic top and bottom heat controls, colorguard sensing system (patent pending), variable speed control, power save mode with indicator light and a toast collector pan (except TQ-10). The toaster will have metal sheathed heating elements and factory attached UL listed cord and plug.

TQ-10 will have a durable painted steel top and aluminized steel construction with controls for power, heating elements, and conveyor speed.