



**GLO-RAY<sup>®</sup>**

# Heated Display Cases

## *GRHD Series*

---

*GRHD-2P*

*GRHD-3P*

*GRHD-4P*

*GRHD-2PD*

*GRHD-3PD*

*GRHD-4PD*

*GRHDH-2P*

*GRHDH-3P*

*GRHDH-4P*

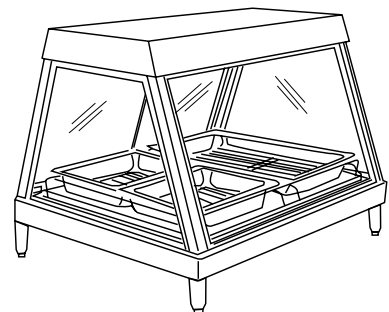
*GRHDH-2PD*

*GRHDH-3PD*

*GRHDH-4PD*

---

**REPLACEMENT  
PARTS LIST**

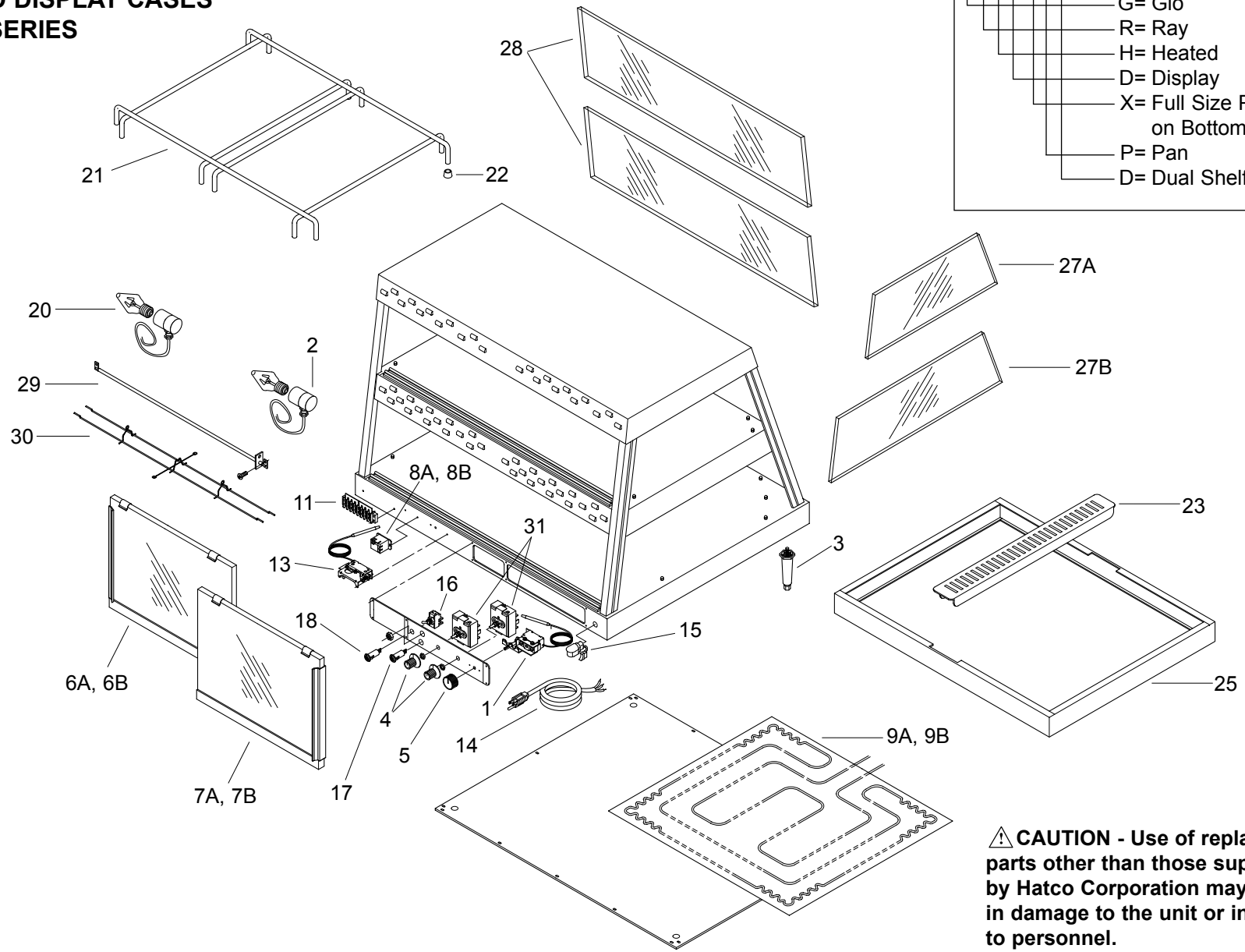


**HATCO GLO-RAY®  
HEATED DISPLAY CASES  
GRHD SERIES**

**Model Designation**

GRHD-XPD

- G= Glo
- R= Ray
- H= Heated
- D= Display
- X= Full Size Pan Capacity  
on Bottom Shelf
- P= Pan
- D= Dual Shelf



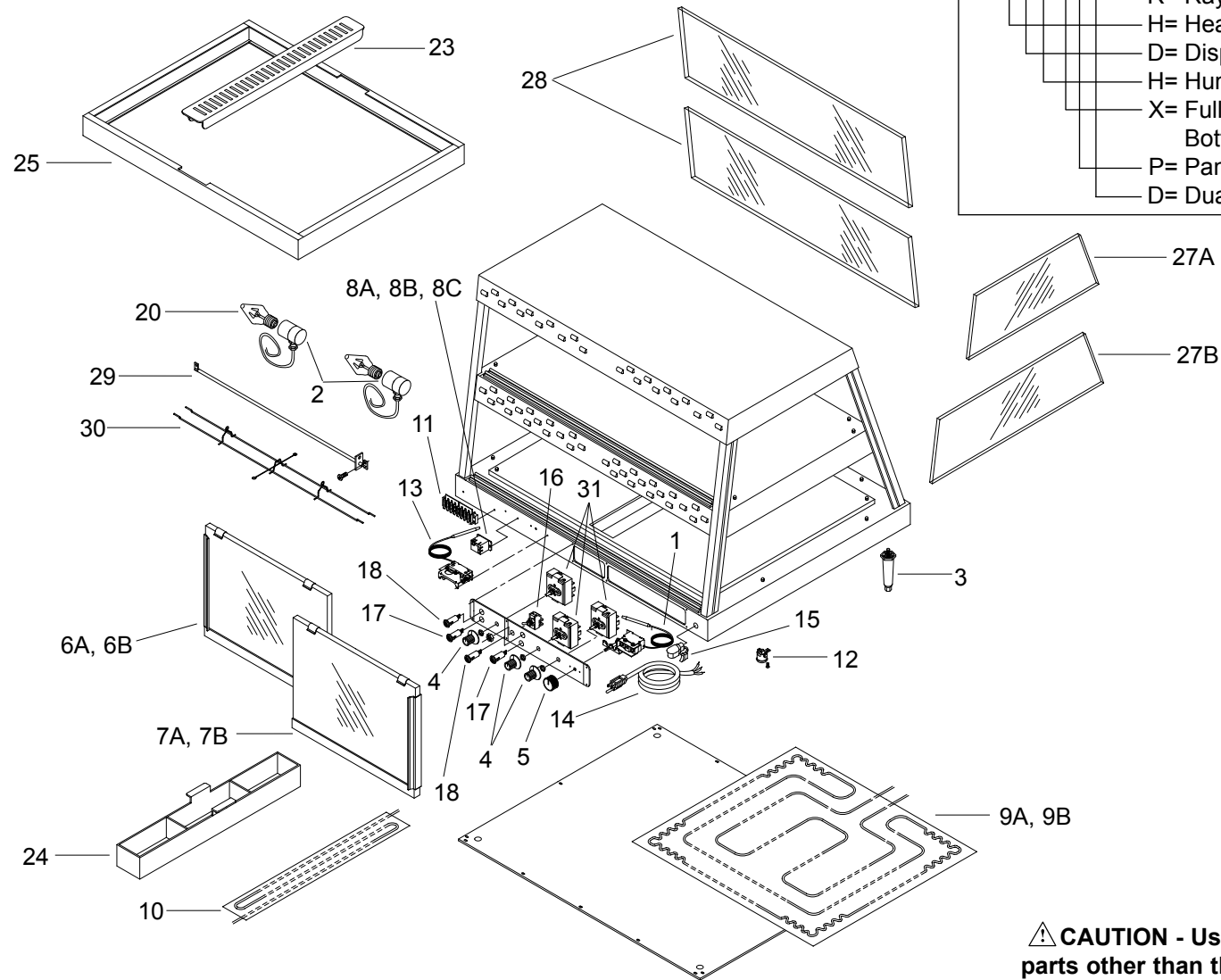
**⚠ CAUTION - Use of replacement parts other than those supplied by Hatco Corporation may result in damage to the unit or injury to personnel.**

**HATCO GLO-RAY®  
HEATED DISPLAY CASES  
GRHDP SERIES**

**Model Designation**

GRHDP-XP

- G= Glo
- R= Ray
- H= Heated
- D= Display
- H= Humidified
- X= Full Size Pan Capacity on Bottom Shelf
- P= Pan
- D= Dual Shelf



**⚠ CAUTION - Use of replacement parts other than those supplied by Hatco Corporation may result in damage to the unit or injury to personnel.**

**PARTS COMMON TO ALL GRHD/GRHDH MODELS**

ITEM	DESCRIPTION	PART NO.	QTY.	ITEM	DESCRIPTION	PART NO.	QTY.
1	Thermostat Control, Base	02.16.030.00	1	4	Knob, Infinite Control	05.30.043.00	1-3
2	Light Socket with Leads, Single	02.30.044.00	2-11	5	Knob, Thermostat	05.30.018.00	1
3	Leg 4" (10 cm)	05.30.007.00	4				

**PARTS SPECIFIC TO MODEL GRHD-2P**

ITEM	DESCRIPTION	120V	120V CSA	220V	240V	220-230V CE	230-240V CE
6A	Glass Door, Inner	R00.01.0002.00	R00.01.0002.00	R00.01.0002.00	R00.01.0002.00	R00.01.0002.00	R00.01.0002.00
6B	Glass Door, Inner, Mirror	R00.01.0014.00	R00.01.0014.00	R00.01.0014.00	R00.01.0014.00	R00.01.0014.00	R00.01.0014.00
7A	Glass Door, Outer	R00.01.0001.00	R00.01.0001.00	R00.01.0001.00	R00.01.0001.00	R00.01.0001.00	R00.01.0001.00
7B	Glass Door, Outer, Mirror	R00.01.0013.00	R00.01.0013.00	R00.01.0013.00	R00.01.0013.00	R00.01.0013.00	R00.01.0013.00
8A	Relay - SPST	---	---	---	---	---	---
8B	Relay - DPDT	---	---	---	---	---	---
8C	Relay - DPST	---	---	---	---	---	---
9A	Heating Element, Base	02.05.293.00	02.05.293.00	02.05.144.00	02.05.294.00	02.05.144.00	02.05.294.00
	Quantity	2	2	1	2	1	2
9B	Heating Element, Base	---	---	---	---	---	---
	Quantity	---	---	---	---	---	---
10	Heating Element, Water	---	---	---	---	---	---
11	Terminal Block - 3 Pole	---	---	---	---	R02.15.030.00	R02.15.030.00
12	High Limit, Automatic	---	---	---	---	---	---
13	High Limit, Manual	---	---	---	---	---	---
14	Power Cord with Plug	R02.18.030.00	R02.18.030.00	02.18.077.00	02.18.066.00	02.18.077.00	02.18.066.00
15	Strain Relief	02.20.206.00	02.20.206.00	02.20.212.00	02.20.212.00	02.20.212.00	02.20.212.00
16	On/Off Switch	R02.19.016.00	R02.19.016.00	R02.19.008A.00	R02.19.008A.00	R02.19.008A.00	R02.19.008A.00
17	Indicator Light, Red	02.19.154.00	02.19.154.00	02.19.151.00	02.19.151.00	---	---
	Indicator Light, Yellow	---	---	---	---	---	---
18	Indicator Light, Green	---	---	---	---	02.19.150.00	02.19.150.00
19	Rubber Boot, Toggle Switch*	---	---	---	---	02.20.040.00	02.20.040.00
20	Light Bulb (Qty. 4)	02.30.043.00	02.30.043.00	02.30.058.00	02.30.058.00	02.30.058.00	02.30.058.00
21	Pan Rail with Rubber Feet	R04.22.030.00	R04.22.030.00	R04.22.030.00	R04.22.030.00	R04.22.030.00	R04.22.030.00
22	Rubber Foot, Pan Rail (Qty. 12)	05.06.039.00	05.06.039.00	05.06.039.00	05.06.039.00	05.06.039.00	05.06.039.00
23	Pan Divider (Optional)	04.22.400.00	04.22.400.00	04.22.400.00	04.22.400.00	04.22.400.00	04.22.400.00
24	Water Trough	---	---	---	---	---	---
25	Pan Enclosure, 2 Pan (Optional)	04.22.406.00	04.22.406.00	04.22.406.00	04.22.406.00	04.22.406.00	04.22.406.00
26	Pan Enclosure, 1 Pan*	---	---	---	---	---	---
27A	End Glass (Qty. 2)	04.40.065.00	04.40.065.00	04.40.065.00	04.40.065.00	04.40.065.00	04.40.065.00
27B	End Glass	---	---	---	---	---	---
28	Glass, Front	04.40.064.00	04.40.064.00	04.40.064.00	04.40.064.00	04.40.064.00	04.40.064.00
29	Heating Element, Upper	R02.08.026D.00	R02.08.026D.00	R02.08.042E.00	R02.08.028E.00	R02.08.042E.00	R02.08.028E.00
30	Wire Guard	04.08.029.00	04.08.029.00	04.08.029.00	04.08.029.00	04.08.029.00	04.08.029.00
31	Infinite Control Switch	R02.19.0018.00	R02.19.018.00	R02.19.019.00	R02.19.019.00	R02.19.019.00	R02.19.019.00
	Electrical Drawing	HS2-639	HS2-639	HS2-730	HS2-2287	HS2-4199	HS2-4200

Shaded area reflects **export models only**. \* Not Shown

**PARTS SPECIFIC TO MODEL GRHD-2PD**

ITEM	DESCRIPTION	120V	120V CSA	220V	240V	220-230V CE	230-240V CE
6A	Glass Door, Inner	R00.01.0008.00	R00.01.0008.00	R00.01.0008.00	R00.01.0008.00	R00.01.0008.00	R00.01.0008.00
6B	Glass Door, Inner, Mirror	R00.01.0020.00	R00.01.0020.00	R00.01.0020.00	R00.01.0020.00	R00.01.0020.00	R00.01.0020.00
7A	Glass Door, Outer	R00.01.0007.00	R00.01.0007.00	R00.01.0007.00	R00.01.0007.00	R00.01.0007.00	R00.01.0007.00
7B	Glass Door, Outer, Mirror	R00.01.0019.00	R00.01.0019.00	R00.01.0019.00	R00.01.0019.00	R00.01.0019.00	R00.01.0019.00
8A	Relay - SPST	---	---	---	---	---	---
8B	Relay - DPDT	---	---	---	---	---	---
8C	Relay - DPST	---	---	---	---	---	---
9A	Heating Element, Base	02.05.293.00	02.05.293.00	02.05.138.00	02.05.294.00	02.05.138.00	02.05.294.00
	Quantity	2	2	1	2	1	2
9B	Heating Element, Base	---	---	---	---	---	---
	Quantity	---	---	---	---	---	---
10	Heating Element, Water	---	---	---	---	---	---
11	Terminal Block - 3 Pole	---	---	---	---	R02.15.030.00	R02.15.030.00
12	High Limit, Automatic	---	---	---	---	---	---
13	High Limit, Manual	---	---	---	---	---	---
14	Power Cord with Plug	R02.18.030.00	R02.18.030.00	02.18.077.00	02.18.066.00	02.18.077.00	02.18.066.00
15	Strain Relief	02.20.226.00	02.20.226.00	02.20.212.00	02.20.212.00	02.20.212.00	02.20.212.00
16	On/Off Switch	R02.19.016.00	R02.19.016.00	R02.19.008A.00	R02.19.008A.00	R02.19.008A.00	R02.19.008A.00
17	Indicator Light, Red	02.19.154.00	02.19.154.00	02.19.151.00	02.19.151.00	---	---
	Indicator Light, Yellow	---	---	---	---	---	---
18	Indicator Light, Green	---	---	---	---	02.19.150.00	02.19.150.00
19	Rubber Boot, Toggle Switch*	---	---	---	---	02.20.040.00	02.20.040.00
20	Light Bulb (Qty. 6)	02.30.043.00	02.30.043.00	02.30.058.00	02.30.058.00	02.30.058.00	02.30.058.00
21	Pan Rail with Rubber Feet	R04.22.030.00	R04.22.030.00	R04.22.030.00	R04.22.030.00	R04.22.030.00	R04.22.030.00
22	Rubber Foot, Pan Rail (Qty. 12)	05.06.039.00	05.06.039.00	05.06.039.00	05.06.039.00	05.06.039.00	05.06.039.00
23	Pan Divider (Optional)	04.22.400.00	04.22.400.00	04.22.400.00	04.22.400.00	04.22.400.00	04.22.400.00
24	Water Trough	---	---	---	---	---	---
25	Pan Enclosure, 2 Pan (Optional)	04.22.406.00	04.22.406.00	04.22.406.00	04.22.406.00	04.22.406.00	04.22.406.00
26	Pan Enclosure, 1 Pan*	---	---	---	---	---	---
27A	End Glass (Qty. 2)	04.40.069.00	04.40.069.00	04.40.069.00	04.40.069.00	04.40.069.00	04.40.069.00
27B	End Glass (Qty. 2)	04.40.070.00	04.40.070.00	04.40.070.00	04.40.070.00	04.40.070.00	04.40.070.00
28	Glass, Front (Qty. 2)	04.40.068.00	04.40.068.00	04.40.068.00	04.40.068.00	04.40.068.00	04.40.068.00
29	Heating Element, Upper (Qty. 2)	R02.08.202D.00	R02.08.202D.00	R02.08.250E.00	R02.08.251E.00	R02.08.250E.00	R02.08.251E.00
30	Wire Guard (Qty. 2)	04.08.029.00	04.08.029.00	04.08.029.00	04.08.029.00	04.08.029.00	04.08.029.00
31	Infinite Control Switch (Qty. 2)	R02.19.018.00	R02.19.018.00	R02.19.019.00	R02.19.019.00	R02.19.019.00	R02.19.019.00
	Electrical Drawing	HS2-764	HS2-764	HS2-1109	HS2-2290	HS2-4211	HS2-4212

Shaded area reflects **export models only**. \* Not Shown

**PARTS SPECIFIC TO MODEL GRHDP-2P**

ITEM	DESCRIPTION	120V	120V CSA	220V	240V	220-230V CE	230-240V CE
6A	Glass Door, Inner	R00.01.0002.00	R00.01.0002.00	R00.01.0002.00	R00.01.0002.00	R00.01.0002.00	R00.01.0002.00
6B	Glass Door, Inner, Mirror	R00.01.0014.00	R00.01.0014.00	R00.01.0014.00	R00.01.0014.00	R00.01.0014.00	R00.01.0014.00
7A	Glass Door, Outer	R00.01.0001.00	R00.01.0001.00	R00.01.0001.00	R00.01.0001.00	R00.01.0001.00	R00.01.0001.00
7B	Glass Door, Outer, Mirror	R00.01.0013.00	R00.01.0013.00	R00.01.0013.00	R00.01.0013.00	R00.01.0013.00	R00.01.0013.00
8A	Relay - SPST	02.01.088.00	02.01.188.00	02.01.105.00	02.01.105.00	02.01.180.00	02.01.105.00
8B	Relay - DPDT	---	---	---	---	---	---
8C	Relay - DPST	---	---	---	---	---	---
9A	Heating Element, Base	02.05.293.00	02.05.293.00	02.05.137.00	02.05.294.00	02.05.137.00	02.05.294.00
	Quantity	2	2	2	2	2	2
9B	Heating Element, Base	---	---	---	---	---	---
	Quantity	---	---	---	---	---	---
10	Heating Element, Water	02.05.295.00	02.05.295.00	02.05.296.00	02.05.296.00	02.05.296.00	02.05.296.00
11	Terminal Block - 3 Pole	---	---	---	---	R02.15.030.00	R02.15.030.00
12	High Limit, Automatic	R02.16.036.00	R02.16.036.00	R02.16.036.00	R02.16.036.00	R02.16.036.00	R02.16.036.00
13	High Limit, Manual	02.16.071.00	02.16.071.00	02.16.071.00	02.16.071.00	02.16.071.00	02.16.071.00
14	Power Cord with Plug	R02.18.030.00	R02.18.030.00	02.18.077.00	02.18.066.00	02.18.077.00	02.18.066.00
15	Strain Relief	02.20.226.00	02.20.226.00	02.20.212.00	02.20.212.00	02.20.212.00	02.20.212.00
16	On/Off Switch	R02.19.016.00	R02.19.016.00	R02.19.008A.00	R02.19.008A.00	R02.19.008A.00	R02.19.008A.00
17	Indicator Light, Red	02.19.154.00	02.19.154.00	02.19.151.00	02.19.151.00	---	---
	Indicator Light, Yellow	---	---	---	---	02.19.152.00	02.19.152.00
18	Indicator Light, Green	02.19.155.00	02.19.155.00	02.19.150.00	02.19.150.00	02.19.150.00	02.19.150.00
19	Rubber Boot, Toggle Switch*	---	---	---	---	02.20.040.00	02.20.040.00
20	Light Bulb (Qty. 4)	02.30.043.00	02.30.043.00	02.30.058.00	02.30.058.00	02.30.058.00	02.30.058.00
21	Pan Rail with Rubber Feet	---	---	---	---	---	---
22	Rubber Foot, Pan Rail	---	---	---	---	---	---
23	Pan Divider (Optional)	04.22.400.00	04.22.400.00	04.22.400.00	04.22.400.00	04.22.400.00	04.22.400.00
24	Water Trough	04.22.403.00	04.22.403.00	04.22.403.00	04.22.403.00	04.22.403.00	04.22.403.00
25	Pan Enclosure, 2 Pan (Optional)	04.22.406.00	04.22.406.00	04.22.406.00	04.22.406.00	04.22.406.00	04.22.406.00
26	Pan Enclosure, 1 Pan*	---	---	---	---	---	---
27A	End Glass (Qty. 2)	04.40.065.00	04.40.065.00	04.40.065.00	04.40.065.00	04.40.065.00	04.40.065.00
27B	End Glass	---	---	---	---	---	---
28	Glass, Front	04.40.064.00	04.40.064.00	04.40.064.00	04.40.064.00	04.40.064.00	04.40.064.00
29	Heating Element, Upper	R02.08.026D.00	R02.08.026D.00	R02.08.042E.00	R02.08.028E.00	R02.08.042E.00	R02.08.028E.00
30	Wire Guard	04.08.029.00	04.08.029.00	04.08.029.00	04.08.029.00	04.08.029.00	04.08.029.00
31	Infinite Control Switch (Qty. 2)	R02.19.018.00	R02.19.018.00	R02.19.019.00	R02.19.019.00	R02.19.019.00	R02.19.019.00
	Electrical Drawing	HS2-2898	HS2-2898	HS2-2927	HS2-2928	HS2-4205	HS2-4206

Shaded area reflects **export models only**. \* Not Shown

**PARTS SPECIFIC TO MODEL GRHDH-2PD**

ITEM	DESCRIPTION	120V	120V CSA	220V	240V	220-230V CE	230-240V CE
6A	Glass Door, Inner	R00.01.0008.00	R00.01.0008.00	R00.01.0008.00	R00.01.0008.00	R00.01.0008.00	R00.01.0008.00
6B	Glass Door, Inner, Mirror	R00.01.0020.00	R00.01.0020.00	R00.01.0020.00	R00.01.0020.00	R00.01.0020.00	R00.01.0020.00
7A	Glass Door, Outer	R00.01.0007.00	R00.01.0007.00	R00.01.0007.00	R00.01.0007.00	R00.01.0007.00	R00.01.0007.00
7B	Glass Door, Outer, Mirror	R00.01.0019.00	R00.01.0019.00	R00.01.0019.00	R00.01.0019.00	R00.01.0019.00	R00.01.0019.00
8A	Relay - SPST	02.01.088.00	02.01.088.00	02.01.180.00	02.01.105.00	02.01.180.00	02.01.105.00
8B	Relay - DPDT	---	---	---	---	---	---
8C	Relay - DPST	---	---	---	---	---	---
9A	Heating Element, Base	02.05.293.00	02.05.293.00	02.05.137.00	02.05.294.00	02.05.137.00	02.05.294.00
	Quantity	2	2	2	2	2	2
9B	Heating Element, Base	---	---	---	---	---	---
	Quantity	---	---	---	---	---	---
10	Heating Element, Water	02.05.295.00	02.05.295.00	02.05.296.00	02.05.296.00	02.05.296.00	02.05.296.00
11	Terminal Block - 3 Pole	---	---	---	---	R02.15.030.00	R02.15.030.00
12	High Limit, Automatic	R02.16.036.00	R02.16.036.00	R02.16.036.00	R02.16.036.00	R02.16.036.00	R02.16.036.00
13	High Limit, Manual	02.16.071.00	02.16.071.00	02.16.071.00	02.16.071.00	02.16.071.00	02.16.071.00
14	Power Cord with Plug	R02.18.030.00	R02.18.083.00	02.18.077.00	02.18.066.00	02.18.077.00	02.18.068.00
15	Strain Relief	02.20.226.00	02.20.212.00	02.20.212.00	02.20.212.00	02.20.212.00	02.20.212.00
16	On/Off Switch	R02.19.016.00	R02.19.016.00	R02.19.006.00	R02.19.008A.00	R02.19.008A.00	R02.19.008A.00
17	Indicator Light, Red	02.19.154.00	02.19.154.00	02.19.151.00	02.19.151.00	---	---
	Indicator Light, Yellow	---	---	---	---	02.19.152.00	02.19.152.00
18	Indicator Light, Green	02.19.155.00	02.19.155.00	02.19.150.00	02.19.150.00	02.19.150.00	02.19.150.00
19	Rubber Boot, Toggle Switch*	---	---	---	---	02.20.040.00	02.20.040.00
20	Light Bulb (Qty. 6)	02.30.043.00	02.30.043.00	02.30.058.00	02.30.058.00	02.30.058.00	02.30.058.00
21	Pan Rail with Rubber Feet	---	---	---	---	---	---
22	Rubber Foot, Pan Rail	---	---	---	---	---	---
23	Pan Divider (Optional)	04.22.400.00	04.22.400.00	04.22.400.00	04.22.400.00	04.22.400.00	04.22.400.00
24	Water Trough	04.22.403.00	04.22.403.00	04.22.403.00	04.22.403.00	04.22.403.00	04.22.403.00
25	Pan Enclosure, 2 Pan (Optional)	04.22.406.00	04.22.406.00	04.22.406.00	04.22.406.00	04.22.406.00	04.22.406.00
26	Pan Enclosure, 1 Pan*	---	---	---	---	---	---
27A	End Glass (Qty. 2)	04.40.069.00	04.40.069.00	04.40.069.00	04.40.069.00	04.40.069.00	04.40.069.00
27B	End Glass (Qty. 2)	04.40.070.00	04.40.070.00	04.40.070.00	04.40.070.00	04.40.070.00	04.40.070.00
28	Glass, Front (Qty. 2)	04.40.068.00	04.40.068.00	04.40.068.00	04.40.068.00	04.40.068.00	04.40.068.00
29	Heating Element, Upper (Qty. 2)	R02.08.202D.00	R02.08.202D.00	R02.08.250E.00	R02.08.251E.00	R02.08.250E.00	R02.08.251E.00
30	Wire Guard (Qty. 2)	04.08.029.00	04.08.029.00	04.08.029.00	04.08.029.00	04.08.029.00	04.08.029.00
31	Infinite Control Switch (Qty. 3)	R02.19.018.00	R02.19.018.00	R02.19.019.00	R02.19.019.00	R02.19.019.00	R02.19.019.00
	Electrical Drawing	HS2-2922	HS2-2922	HS2-2933	HS2-2934	HS2-4217	HS2-4218

Shaded area reflects **export models only**. \* Not Shown



**PARTS SPECIFIC TO MODEL GRHD-3P**

ITEM	DESCRIPTION	120V	120V CSA	220V	240V	220-230V CE	220-230V CE
6A	Glass Door, Inner	R00.01.0004.00	R00.01.0004.00	R00.01.0004.00	R00.01.0004.00	R00.01.0004.00	R00.01.0004.00
6B	Glass Door, Inner, Mirror	R00.01.0016.00	R00.01.0016.00	R00.01.0016.00	R00.01.0016.00	R00.01.0016.00	R00.01.0016.00
7A	Glass Door, Outer	R00.01.0003.00	R00.01.0003.00	R00.01.0003.00	R00.01.0003.00	R00.01.0003.00	R00.01.0003.00
7B	Glass Door, Outer, Mirror	R00.01.0017.00	R00.01.0017.00	R00.01.0017.00	R00.01.0017.00	R00.01.0017.00	R00.01.0017.00
8A	Relay - SPST	---	---	---	---	---	---
8B	Relay - DPDT	---	---	---	---	---	---
8C	Relay - DPST	---	---	---	---	---	---
9A	Heating Element, Base	02.05.293.00	02.05.293.00	02.05.138.00	02.05.294.00	02.05.138.00	02.05.294.00
	Quantity	3	3	1	3	1	3
9B	Heating Element, Base	---	---	02.05.142.00	---	02.05.142.00	---
	Quantity	---	---	1	---	1	---
10	Heating Element, Water	---	---	---	---	---	---
11	Terminal Block - 3 Pole	---	---	---	---	R02.15.030.00	R02.15.030.00
12	High Limit, Automatic	---	---	---	---	---	---
13	High Limit, Manual	---	---	---	---	---	---
14	Power Cord with Plug	R02.18.030.00	R02.18.030.00	02.18.077.00	02.18.066.00	02.18.077.00	02.18.066.00
15	Strain Relief	02.20.226.00	02.20.226.00	02.20.212.00	02.20.212.00	02.20.212.00	02.20.212.00
16	On/Off Switch	R02.19.016.00	R02.19.016.00	R02.19.008A.00	R02.19.008A.00	R02.19.008A.00	R02.19.008A.00
17	Indicator Light, Red	02.19.154.00	02.19.154.00	02.19.151.00	02.19.151.00	---	---
	Indicator Light, Yellow	---	---	---	---	---	---
18	Indicator Light, Green	---	---	---	---	02.19.150.00	02.19.150.00
19	Rubber Boot, Toggle Switch*	---	---	---	---	02.20.040.00	02.20.040.00
20	Light Bulb (Qty. 3)	02.30.043.00	02.30.043.00	02.30.058.00	02.30.058.00	02.30.058.00	02.30.058.00
21	Pan Rail with Rubber Feet	R04.22.031.00	R04.22.031.00	R04.22.031.00	R04.22.031.00	R04.22.031.00	R04.22.031.00
22	Rubber Foot, Pan Rail (Qty. 12)	05.06.039.00	05.06.039.00	05.06.039.00	05.06.039.00	05.06.039.00	05.06.039.00
23	Pan Divider (Optional)	04.22.400.00	04.22.400.00	04.22.400.00	04.22.400.00	04.22.400.00	04.22.400.00
24	Water Trough	---	---	---	---	---	---
25	Pan Enclosure, 2 Pan (Optional)	04.22.406.00	04.22.406.00	04.22.406.00	04.22.406.00	04.22.406.00	04.22.406.00
26	Pan Enclosure, 1 Pan*	04.22.407.00	04.22.407.00	04.22.407.00	04.22.407.00	04.22.407.00	04.22.407.00
27A	End Glass (Qty. 2)	04.40.065.00	04.40.065.00	04.40.065.00	04.40.065.00	04.40.065.00	04.40.065.00
27B	End Glass	---	---	---	---	---	---
28	Glass, Front	04.40.066.00	04.40.066.00	04.40.066.00	04.40.066.00	04.40.066.00	04.40.066.00
29	Heating Element, Upper	R02.08.007D.00	R02.08.007D.00	R02.08.039E.00	R02.08.009E.00	R02.08.039E.00	R02.08.009E.00
30	Wire Guard	04.08.032.00	04.08.032.00	04.08.032.00	04.08.032.00	04.08.032.00	04.08.032.00
31	Infinite Control Switch (Qty. 2)	R02.19.018.00	R02.19.018.00	R02.19.019.00	R02.19.019.00	R02.19.019.00	R02.19.019.00
	Electrical Drawing	HS2-640	HS2-640	HS2-731	HS2-2288	HS2-4201	HS2-4202

Shaded area reflects **export models only**. \* Not Shown

**PARTS SPECIFIC TO MODEL GRHD-3PD**

ITEM	DESCRIPTION	120V	120V CSA	220V	240V	220-230V CE	230-240V CE
6A	Glass Door, Inner	R00.01.0010.00	R00.01.0010.00	R00.01.0010.00	R00.01.0010.00	R00.01.0010.00	R00.01.0010.00
6B	Glass Door, Inner, Mirror	R00.01.0022.00	R00.01.0022.00	R00.01.0022.00	R00.01.0022.00	R00.01.0022.00	R00.01.0022.00
7A	Glass Door, Outer	R00.01.0009.00	R00.01.0009.00	R00.01.0009.00	R00.01.0009.00	R00.01.0009.00	R00.01.0009.00
7B	Glass Door, Outer, Mirror	R00.01.0021.00	R00.01.0021.00	R00.01.0021.00	R00.01.0021.00	R00.01.0021.00	R00.01.0021.00
8A	Relay - SPST	---	---	---	---	---	---
8B	Relay - DPDT	---	---	---	---	---	---
8C	Relay - DPST	---	---	---	---	---	---
9A	Heating Element, Base	02.05.293.00	02.05.293.00	02.05.137.00	02.05.294.00	02.05.137.00	02.05.294.00
	Quantity	3	3	2	3	2	3
9B	Heating Element, Base	---	---	---	---	---	---
	Quantity	---	---	---	---	---	---
10	Heating Element, Water	---	---	---	---	---	---
11	Terminal Block - 3 Pole	---	---	---	---	R02.15.030.00	R02.15.030.00
12	High Limit, Automatic	---	---	---	---	---	---
13	High Limit, Manual	---	---	---	---	---	---
14	Power Cord with Plug	R02.18.083.00	R02.18.083.00	02.18.077.00	02.18.068.00	02.18.077.00	02.18.068.00
15	Strain Relief	02.20.226.00	02.20.226.00	02.20.212.00	02.20.212.00	02.20.212.00	02.20.212.00
16	On/Off Switch	R02.19.016.00	R02.19.016.00	R02.19.008A.00	R02.19.008A.00	R02.19.008A.00	R02.19.008A.00
17	Indicator Light, Red	02.19.154.00	02.19.154.00	02.19.151.00	02.19.151.00	---	---
	Indicator Light, Yellow	---	---	---	---	---	---
18	Indicator Light, Green	---	---	---	---	02.19.150.00	02.19.150.00
19	Rubber Boot, Toggle Switch*	---	---	---	---	02.20.040.00	02.20.040.00
20	Light Bulb (Qty. 8)	02.30.043.00	02.30.043.00	02.30.058.00	02.30.058.00	02.30.058.00	02.30.058.00
21	Pan Rail with Rubber Feet	R04.22.031.00	R04.22.031.00	R04.22.031.00	R04.22.031.00	R04.22.031.00	R04.22.031.00
22	Rubber Foot, Pan Rail (Qty. 12)	05.06.039.00	05.06.039.00	05.06.039.00	05.06.039.00	05.06.039.00	05.06.039.00
23	Pan Divider (Optional)	04.22.400.00	04.22.400.00	04.22.400.00	04.22.400.00	04.22.400.00	04.22.400.00
24	Water Trough	---	---	---	---	---	---
25	Pan Enclosure, 2 Pan (Optional)	04.22.406.00	04.22.406.00	04.22.406.00	04.22.406.00	04.22.406.00	04.22.406.00
26	Pan Enclosure, 1 Pan*	04.22.407.00	04.22.407.00	04.22.407.00	04.22.407.00	04.22.407.00	04.22.407.00
27A	End Glass (Qty. 2)	04.40.069.00	04.40.069.00	04.40.069.00	04.40.069.00	04.40.069.00	04.40.069.00
27B	End Glass (Qty. 2)	04.40.070.00	04.40.070.00	04.40.070.00	04.40.070.00	04.40.070.00	04.40.070.00
28	Glass, Front (Qty. 2)	04.40.071.00	04.40.071.00	04.40.071.00	04.40.071.00	04.40.071.00	04.40.071.00
29	Heating Element, Upper (Qty. 3)	R02.08.216D.00	R02.08.216D.00	R02.08.253E.00	R02.08.254E.00	R02.08.253E.00	R02.08.254E.00
30	Wire Guard (Qty. 3)	04.08.032.00	04.08.032.00	04.08.032.00	04.08.032.00	04.08.032.00	04.08.032.00
31	Infinite Control Switch (Qty. 3)	R02.19.018.00	R02.19.018.00	R02.19.019.00	R02.19.019.00	R02.19.019.00	R02.19.019.00
	Electrical Drawing	HS2-765	HS2-765	HS2-1022	HS2-2291	HS2-4213	HS2-4214

Shaded area reflects **export models only**. \* Not Shown

**PARTS SPECIFIC TO MODEL GRHDH-3P**

ITEM	DESCRIPTION	120V	120V CSA	220V	240V	220-230V CE	230-240V CE
6A	Glass Door, Inner	R00.01.0004.00	R00.01.0004.00	R00.01.0004.00	R00.01.0004.00	R00.01.0004.00	R00.01.0004.00
6B	Glass Door, Inner, Mirror	R00.01.0016.00	R00.01.0016.00	R00.01.0016.00	R00.01.0016.00	R00.01.0016.00	R00.01.0016.00
7A	Glass Door, Outer	R00.01.0003.00	R00.01.0003.00	R00.01.0003.00	R00.01.0003.00	R00.01.0003.00	R00.01.0003.00
7B	Glass Door, Outer, Mirror	R00.01.0017.00	R00.01.0017.00	R00.01.0017.00	R00.01.0017.00	R00.01.0017.00	R00.01.0017.00
8A	Relay - SPST	02.01.088.00	02.01.088.00	02.01.180.00	02.01.105.00	02.01.180.00	02.01.105.00
8B	Relay - DPDT	---	---	---	---	---	---
8C	Relay - DPST	---	---	---	---	---	---
9A	Heating Element, Base	02.05.293.00	02.05.293.00	02.05.137.00	02.05.294.00	02.05.137.00	02.05.294.00
	Quantity	3	3	1	3	1	3
9B	Heating Element, Base	---	---	02.05.141.00	---	02.05.141.00	---
	Quantity	---	---	1	---	1	---
10	Heating Element, Water	02.05.295.00	02.05.295.00	02.05.296.00	02.05.296.00	02.05.296.00	02.05.296.00
11	Terminal Block - 3 Pole	---	---	---	---	---	R02.15.030.00
12	High Limit, Automatic	R02.16.036.00	R02.16.036.00	R02.16.036.00	R02.16.036.00	R02.16.036.00	R02.16.036.00
13	High Limit, Manual	02.16.071.00	02.16.071.00	02.16.071.00	02.16.071.00	02.16.071.00	02.16.071.00
14	Power Cord with Plug	R02.18.030.00	R02.18.083.00	02.18.077.00	02.18.068.00	02.18.077.00	02.18.068.00
15	Strain Relief	02.20.226.00	02.20.226.00	02.20.212.00	02.20.212.00	02.20.212.00	02.20.212.00
16	On/Off Switch	R02.19.016.00	R02.19.016.00	R02.19.008A.00	R02.19.008A.00	R02.19.008A.00	R02.19.008A.00
17	Indicator Light, Red	02.19.154.00	02.19.154.00	02.19.151.00	02.19.151.00	---	---
	Indicator Light, Yellow	---	---	---	---	02.19.152.00	02.19.152.00
18	Indicator Light, Green	02.19.155.00	02.19.155.00	02.19.150.00	02.19.150.00	02.19.150.00	02.19.150.00
19	Rubber Boot, Toggle Switch*	---	---	---	---	02.20.040.00	02.20.040.00
20	Light Bulb (Qty. 5)	02.30.043.00	02.30.043.00	02.30.058.00	02.30.058.00	02.30.058.00	02.30.058.00
21	Pan Rail with Rubber Feet	---	---	---	---	---	---
22	Rubber Foot, Pan Rail	---	---	---	---	---	---
23	Pan Divider (Optional)	04.22.400.00	04.22.400.00	R04.22.400.00	04.22.400.00	04.22.400.00	04.22.400.00
24	Water Trough	04.22.403.00	04.22.403.00	04.22.403.00	04.22.403.00	04.22.403.00	04.22.403.00
25	Pan Enclosure, 2 Pan (Optional)	04.22.406.00	04.22.406.00	04.22.406.00	04.22.406.00	04.22.406.00	04.22.406.00
26	Pan Enclosure, 1 Pan*	04.22.407.00	04.22.407.00	04.22.407.00	04.22.407.00	04.22.407.00	04.22.407.00
27A	End Glass (Qty. 2)	04.40.065.00	04.40.065.00	04.40.065.00	04.40.065.00	04.40.065.00	04.40.065.00
27B	End Glass	---	---	---	---	---	---
28	Glass, Front	04.40.066.00	04.40.066.00	04.40.066.00	04.40.066.00	04.40.066.00	04.40.066.00
29	Heating Element, Upper	R02.08.007D.00	R02.08.007D.00	R02.08.039E.00	R02.08.009E.00	R02.08.039E.00	R02.08.009E.00
30	Wire Guard	04.08.032.00	04.08.032.00	04.08.032.00	04.08.032.00	04.08.032.00	04.08.032.00
31	Infinite Control Switch (Qty. 2)	R02.19.018.00	R02.19.018.00	R02.19.019.00	R02.19.019.00	R02.19.019.00	R02.19.019.00
	Electrical Drawing	HS2-2919	HS2-2919	HS2-2929	HS2-2930	HS2-4207	HS2-4208

Shaded area reflects **export models only**. \* Not Shown

**PARTS SPECIFIC TO MODEL GRHDH-3PD**

ITEM	DESCRIPTION	120V	120V CSA	220V	240V	220-230V CE	230-240V CE
6A	Glass Door, Inner	R00.01.0010.00	R00.01.0010.00	R00.01.0010.00	R00.01.0010.00	R00.01.0010.00	R00.01.0010.00
6B	Glass Door, Inner, Mirror	R00.01.0022.00	R00.01.0022.00	R00.01.0022.00	R00.01.0022.00	R00.01.0022.00	R00.01.0022.00
7A	Glass Door, Outer	R00.01.0009.00	R00.01.0009.00	R00.01.0009.00	R00.01.0009.00	R00.01.0009.00	R00.01.0009.00
7B	Glass Door, Outer, Mirror	R00.01.0021.00	R00.01.0021.00	R00.01.0021.00	R00.01.0021.00	R00.01.0021.00	R00.01.0021.00
8A	Relay - SPST	02.01.088.00	02.01.088.00	02.01.180.00	02.01.105.00	02.01.180.00	02.01.105.00
8B	Relay - DPDT	---	---	---	---	---	---
8C	Relay - DPST	---	---	---	---	---	---
9A	Heating Element, Base	02.05.293.00	02.05.293.00	02.05.137.00	02.05.294.00	02.05.137.00	02.05.294.00
	Quantity	3	3	1	3	1	3
9B	Heating Element, Base	---	---	02.05.141.00	---	02.05.141.00	---
	Quantity	---	---	1	---	1	---
10	Heating Element, Water	02.05.295.00	02.05.295.00	02.05.296.00	02.05.296.00	02.05.296.00	02.05.296.00
11	Terminal Block - 3 Pole	---	---	---	---	R02.15.030.00	R02.15.030.00
12	High Limit, Automatic	R02.16.036.00	R02.16.036.00	R02.16.036.00	R02.16.036.00	R02.16.036.00	R02.16.036.00
13	High Limit, Manual	02.16.071.00	02.16.071.00	02.16.071.00	02.16.071.00	02.16.071.00	02.16.071.00
14	Power Cord with Plug	R02.18.083.00	R02.18.039.00	02.18.077.00	02.18.068.00	02.18.077.00	02.18.068.00
15	Strain Relief	02.20.226.00	02.20.226.00	02.20.212.00	02.20.212.00	02.20.212.00	02.20.212.00
16	On/Off Switch	R02.19.016.00	R02.19.016.00	R02.19.008A.00	R02.19.008A.00	R02.19.008A.00	R02.19.008A.00
17	Indicator Light, Red	02.19.154.00	02.19.154.00	02.19.151.00	02.19.151.00	---	---
	Indicator Light, Yellow	---	---	---	---	02.19.152.00	02.19.152.00
18	Indicator Light, Green	02.19.155.00	02.19.155.00	02.19.150.00	02.19.150.00	02.19.150.00	02.19.150.00
19	Rubber Boot, Toggle Switch*	---	---	---	---	02.20.040.00	02.20.040.00
20	Light Bulb (Qty. 8)	02.30.043.00	02.30.043.00	02.30.058.00	02.30.058.00	02.30.058.00	02.30.058.00
21	Pan Rail with Rubber Feet	---	---	---	---	---	---
22	Rubber Foot, Pan Rail	---	---	---	---	---	---
23	Pan Divider (Optional)	04.22.400.00	04.22.400.00	04.22.400.00	04.22.400.00	04.22.400.00	04.22.400.00
24	Water Trough	04.22.403.00	04.22.403.00	04.22.403.00	04.22.403.00	04.22.403.00	04.22.403.00
25	Pan Enclosure, 2 Pan (Optional)	04.22.406.00	04.22.406.00	04.22.406.00	04.22.406.00	04.22.406.00	04.22.406.00
26	Pan Enclosure, 1 Pan*	04.22.407.00	04.22.407.00	04.22.407.00	04.22.407.00	04.22.407.00	04.22.407.00
27A	End Glass (Qty. 2)	04.40.069.00	04.40.069.00	04.40.069.00	04.40.069.00	04.40.069.00	04.40.069.00
27B	End Glass (Qty. 2)	04.40.070.00	04.40.070.00	04.40.070.00	04.40.070.00	04.40.070.00	04.40.070.00
28	Glass, Front (Qty. 2)	04.40.071.00	04.40.071.00	04.40.071.00	04.40.071.00	04.40.071.00	04.40.071.00
29	Heating Element, Upper (Qty. 2)	R02.08.216D.00	R02.08.216D.00	R02.08.253E.00	R02.08.254E.00	R02.08.253E.00	R02.08.254E.00
30	Wire Guard (Qty. 3)	04.08.032.00	04.08.032.00	04.08.032.00	04.08.032.00	04.08.032.00	04.08.032.00
31	Infinite Control Switch (Qty. 3)	R02.19.018.00	R02.19.018.00	R02.19.019.00	R02.19.019.00	R02.19.019.00	R02.19.019.00
	Electrical Drawing	HS2-2923	HS2-2923	HS2-2935	HS2-2939	HS2-4219	HS2-4220

Shaded area reflects **export models only**. \* Not Shown

**PARTS SPECIFIC TO MODEL GRHD-4P**

ITEM	DESCRIPTION	120V	120/208V	120/240V	220V	240V	220-230V CE	230-240V CE
6A	Glass Door, Inner	R00.01.0006.00	R00.01.0006.00	R00.01.0006.00	R00.01.0006.00	R00.01.0006.00	R00.01.0006.00	R00.01.0006.00
6B	Glass Door, Inner, Mirror	R00.01.0018.00	R00.01.0018.00	R00.01.0018.00	R00.01.0018.00	R00.01.0018.00	R00.01.0018.00	R00.01.0018.00
7A	Glass Door, Outer	R00.01.0005.00	R00.01.0005.00	R00.01.0005.00	R00.01.0005.00	R00.01.0005.00	R00.01.0005.00	R00.01.0005.00
7B	Glass Door, Outer, Mirror	R00.01.0019.00	R00.01.0019.00	R00.01.0019.00	R00.01.0019.00	R00.01.0019.00	R00.01.0019.00	R00.01.0019.00
8A	Relay - SPST	---	---	---	---	---	---	---
8B	Relay - DPDT	---	---	---	---	---	---	---
8C	Relay - DPST	---	---	---	---	---	---	---
9A	Heating Element, Base	02.05.293.00	02.05.293.00	02.05.293.00	02.05.142.00	02.05.294.00	02.05.142.00	02.05.294.00
	Quantity	4	4	4	1	4	1	4
9B	Heating Element, Base	---	---	---	02.05.144.00	---	02.05.144.00	---
	Quantity	---	---	---	1	---	1	---
10	Heating Element, Water	---	---	---	---	---	---	---
11	Terminal Block - 3 Pole	---	---	---	---	---	R02.15.030.00	R02.15.030.00
12	High Limit, Automatic	---	---	---	---	---	---	---
13	High Limit, Manual	---	---	---	---	---	---	---
14	Power Cord with Plug	R02.18.083.00	02.18.085.00	02.18.085.00	02.18.077.00	02.18.068.00	02.18.077.00	02.18.068.00
15	Strain Relief	02.20.226.00	02.20.226.00	02.20.226.00	02.20.212.00	02.20.212.00	02.20.212.00	02.20.212.00
16	On/Off Switch	R02.19.016.00	R02.19.008A.00	R02.19.008A.00	R02.19.008A.00	R02.19.008A.00	R02.19.008A.00	R02.19.008A.00
17	Indicator Light, Red	02.19.154.00	02.19.154.00	02.19.154.00	02.19.151.00	02.19.151.00	---	---
	Indicator Light, Yellow	---	---	---	---	---	---	---
18	Indicator Light, Green	---	---	---	---	---	02.19.150.00	02.19.150.00
19	Rubber Boot, Toggle Switch*	---	---	---	---	---	02.20.040.00	02.20.040.00
20	Light Bulb (Qty. 6)	02.30.043.00	02.30.043.00	02.30.043.00	02.30.058.00	02.30.058.00	02.30.058.00	02.30.058.00
21	Pan Rail with Rubber Feet	R04.22.032.00	R04.22.032.00	R04.22.032.00	R04.22.032.00	R04.22.032.00	R04.22.032.00	R04.22.032.00
22	Rubber Foot, Pan Rail (Qty. 20)	05.06.039.00	05.06.039.00	05.06.039.00	05.06.039.00	05.06.039.00	05.06.039.00	05.06.039.00
23	Pan Divider (Optional)	04.22.400.00	04.22.400.00	04.22.400.00	04.22.400.00	04.22.400.00	04.22.400.00	04.22.400.00
24	Water Trough	---	---	---	---	---	---	---
25	Pan Enclosure, 2 Pan (Optional)	04.22.406.00	04.22.406.00	04.22.406.00	04.22.406.00	04.22.406.00	04.22.406.00	04.22.406.00
26	Pan Enclosure, 1 Pan*	---	---	---	---	---	---	---
27A	End Glass (Qty. 2)	04.40.065.00	04.40.065.00	04.40.065.00	04.40.065.00	04.40.065.00	04.40.065.00	04.40.065.00
27B	End Glass	---	---	---	---	---	---	---
28	Glass, Front	04.40.067.00	04.40.067.00	04.40.067.00	04.40.067.00	04.40.067.00	04.40.067.00	04.40.067.00
29	Heating Element, Upper	R02.08.025D.00	R02.08.025D.00	R02.08.025D.00	R02.08.046E.00	R02.08.030E.00	R02.08.046E.00	R02.08.030E.00
30	Wire Guard	04.08.038.00	04.08.038.00	04.08.038.00	04.08.038.00	04.08.038.00	04.08.038.00	04.08.038.00
31	Infinite Control Switch (Qty. 2)	R02.19.018.00	R02.19.018.00	R02.19.018.00	R02.19.019.00	R02.19.019.00	R02.19.019.00	R02.19.019.00
	Electrical Drawing	HS2-815	HS2-641	HS2-641	HS2-732	HS2-2289	HS2-4203	HS2-4204

Shaded area reflects **export models only**. \* Not Shown

**PARTS SPECIFIC TO MODEL GRHD-4PD**

ITEM	DESCRIPTION	120V	120/208V	120/240V	220V	240V	220-230V CE	230-240V CE
6A	Glass Door, Inner	R00.01.0012.00	R00.01.0012.00	R00.01.0012.00	R00.01.0012.00	R00.01.0012.00	R00.01.0012.00	R00.01.0012.00
6B	Glass Door, Inner, Mirror	R00.01.0024.00	R00.01.0024.00	R00.01.0024.00	R00.01.0024.00	R00.01.0024.00	R00.01.0024.00	R00.01.0024.00
7A	Glass Door, Outer	R00.01.0012.00	R00.01.0012.00	R00.01.0012.00	R00.01.0012.00	R00.01.0012.00	R00.01.0012.00	R00.01.0012.00
7B	Glass Door, Outer, Mirror	R00.01.0023.00	R00.01.0023.00	R00.01.0023.00	R00.01.0023.00	R00.01.0023.00	R00.01.0023.00	R00.01.0023.00
8A	Relay - SPST	---	---	---	---	---	---	---
8B	Relay - DPDT	---	---	---	---	---	---	---
8C	Relay - DPST	---	---	---	---	---	---	---
9A	Heating Element, Base	02.05.293.00	02.05.293.00	02.05.293.00	02.05.144.00	02.05.294.00	02.05.144.00	02.05.294.00
	Quantity	4	4	4	1	4	1	4
9B	Heating Element, Base	---	---	---	---	---	---	---
	Quantity	---	---	---	---	---	---	---
10	Heating Element, Water	---	---	---	---	---	---	---
11	Terminal Block - 3 Pole	---	---	---	---	---	R02.15.030.00	R02.15.030.00
12	High Limit, Automatic	---	---	---	---	---	---	---
13	High Limit, Manual	---	---	---	---	---	---	---
14	Power Cord with Plug	02.18.039.00	02.18.085.00	02.18.085.00	02.18.038.00	02.18.068.00	02.18.038.00	02.18.068.00
15	Strain Relief	02.20.226.00	02.20.226.00	02.20.226.00	02.20.212.00	02.20.212.00	02.20.212.00	02.20.212.00
16	On/Off Switch	R02.19.006.00	R02.19.008A.00	R02.19.008A.00	R02.19.008A.00	R02.19.008A.00	R02.19.008A.00	R02.19.008A.00
17	Indicator Light, Red	02.19.154.00	02.19.154.00	02.19.151.00	02.19.151.00	02.19.151.00	---	---
	Indicator Light, Yellow	---	---	---	---	---	---	---
18	Indicator Light, Green	---	---	---	---	---	02.19.150.00	02.19.150.00
19	Rubber Boot, Toggle Switch*	---	---	---	---	---	02.20.040.00	02.20.040.00
20	Light Bulb (Qty. 11)	02.30.043.00	02.30.043.00	02.30.043.00	02.30.058.00	02.30.058.00	02.30.058.00	02.30.058.00
21	Pan Rail with Rubber Feet	R04.22.032.00	R04.22.032.00	R04.22.032.00	R04.22.032.00	R04.22.032.00	R04.22.032.00	R04.22.032.00
22	Rubber Foot, Pan Rail (Qty. 20)	05.06.039.00	05.06.039.00	05.06.039.00	05.06.039.00	05.06.039.00	05.06.039.00	05.06.039.00
23	Pan Divider (Qty. 2) (Optional)	04.22.400.00	04.22.400.00	04.22.400.00	04.22.400.00	04.22.400.00	04.22.400.00	04.22.400.00
24	Water Trough	---	---	---	---	---	---	---
25	Pan Enclosure, 2 Pan (Qty. 2) (Optional)	04.22.406.00	04.22.406.00	04.22.406.00	04.22.406.00	04.22.406.00	04.22.406.00	04.22.406.00
26	Pan Enclosure, 1 Pan* (Qty. 2)	04.22.407.00	04.22.407.00	04.22.407.00	04.22.407.00	04.22.407.00	04.22.407.00	04.22.407.00
27A	End Glass (Qty. 2)	04.40.069.00	04.40.069.00	04.40.069.00	04.40.069.00	04.40.069.00	04.40.069.00	04.40.069.00
27B	End Glass (Qty. 2)	04.40.070.00	04.40.070.00	04.40.070.00	04.40.070.00	04.40.070.00	04.40.070.00	04.40.070.00
28	Glass, Front (Qty. 2)	04.40.072.00	04.40.072.00	04.40.072.00	04.40.072.00	04.40.072.00	04.40.072.00	04.40.072.00
29	Heating Element, Upper (Qty. 2)	R02.08.206D.00	R02.08.206D.00	R02.08.206D.00	R02.08.256E.00	R02.08.257E.00	R02.08.256E.00	R02.08.257E.00
30	Wire Guard (Qty. 2)	04.08.038.00	04.08.038.00	04.08.038.00	04.08.038.00	04.08.038.00	04.08.038.00	04.08.038.00
31	Infinite Control Switch (Qty. 2)	R02.19.018.00	R02.19.018.00	R02.19.018.00	R02.19.019.00	R02.19.019.00	R02.19.019.00	R02.19.019.00
	Electrical Drawing	HS2-766	HS2-767	HS2-767	HS2-2292	HS2-1111	HS2-4215	HS2-4216

Shaded area reflects **export models only**. \* Not Shown

**PARTS SPECIFIC TO MODEL GRHDH-4P**

ITEM	DESCRIPTION	120V	120/208V	120/240V	220V	240V	220-230V CE	230-240V CE
6A	Glass Door, Inner	R00.01.0006.00	R00.01.0006.00	R00.01.0006.00	R00.01.0006.00	R00.01.0006.00	R00.01.0006.00	R00.01.0006.00
6B	Glass Door, Inner, Mirror	R00.01.0018.00	R00.01.0018.00	R00.01.0018.00	R00.01.0018.00	R00.01.0018.00	R00.01.0018.00	R00.01.0018.00
7A	Glass Door, Outer	R00.01.0005.00	R00.01.0005.00	R00.01.0005.00	R00.01.0005.00	R00.01.0005.00	R00.01.0005.00	R00.01.0005.00
7B	Glass Door, Outer, Mirror	R00.01.0019.00	R00.01.0019.00	R00.01.0019.00	R00.01.0019.00	R00.01.0019.00	R00.01.0019.00	R00.01.0019.00
8A	Relay - SPST	02.01.088.00	02.01.088.00	02.01.088.00	02.01.180.00	02.01.105.00	02.01.180.00	02.01.105.00
8B	Relay - DPDT	02.01.097.00	02.01.097.00	02.01.097.00	---	---	---	---
8C	Relay - DPST	---	---	---	02.01.098.00	---	---	---
9A	Heating Element, Base	02.05.293.00	02.05.293.00	02.05.293.00	02.05.137.00	02.05.294.00	02.05.137.00	02.05.294.00
	Quantity	4	4	4	2	4	2	4
9B	Heating Element, Base	---	---	---	02.05.141.00	---	02.05.141.00	---
	Quantity	---	---	---	1	---	1	---
10	Heating Element, Water	02.05.295.00	02.05.295.00	02.05.295.00	02.05.296.00	02.05.296.00	02.05.296.00	02.05.296.00
11	Terminal Block - 3 Pole	---	---	---	---	---	R02.15.030.00	R02.15.030.00
12	High Limit, Automatic	R02.16.036.00	R02.16.036.00	R02.16.036.00	R02.16.036.00	R02.16.036.00	R02.16.036.00	R02.16.036.00
13	High Limit, Manual	02.16.071.00	02.16.071.00	02.16.071.00	02.16.071.00	02.16.071.00	02.16.071.00	02.16.071.00
14	Power Cord with Plug	02.18.039.00	02.18.085.00	02.18.085.00	02.18.038.00	02.18.068.00	02.18.068.00	02.18.038.00
15	Strain Relief	02.20.209.00	02.20.226.00	02.20.226.00	02.20.212.00	02.20.212.00	02.20.212.00	02.20.212.00
16	On/Off Switch	R02.19.008A.00	R02.19.008A.00	R02.19.008A.00	R02.19.008A.00	R02.19.008A.00	R02.19.008A.00	R02.19.008A.00
17	Indicator Light, Red	02.19.154.00	02.19.154.00	02.19.154.00	02.19.151.00	02.19.151.00	---	---
	Indicator Light, Yellow	---	---	---	---	---	02.19.152.00	02.19.152.00
18	Indicator Light, Green	02.19.155.00	02.19.155.00	02.19.155.00	02.19.150.00	02.19.150.00	02.19.150.00	02.19.150.00
19	Rubber Boot, Toggle Switch*	---	---	---	---	---	02.20.040.00	02.20.040.00
20	Light Bulb (Qty. 6)	02.30.043.00	02.30.043.00	02.30.043.00	02.30.058.00	02.30.058.00	02.30.058.00	02.30.058.00
21	Pan Rail with Rubber Feet	---	---	---	---	---	---	---
22	Rubber Foot, Pan Rail	---	---	---	---	---	---	---
23	Pan Divider (Optional)	04.22.400.00	04.22.400.00	04.22.400.00	04.22.400.00	04.22.400.00	04.22.400.00	04.22.400.00
24	Water Trough	04.22.403.00	04.22.403.00	04.22.403.00	04.22.403.00	04.22.403.00	04.22.403.00	04.22.403.00
25	Pan Enclosure, 2 Pan (Optional)	04.22.406.00	04.22.406.00	04.22.406.00	04.22.406.00	04.22.406.00	04.22.406.00	04.22.406.00
26	Pan Enclosure, 1 Pan*	---	---	---	---	---	---	---
27A	End Glass (Qty. 2)	04.40.065.00	04.40.065.00	04.40.065.00	04.40.065.00	04.40.065.00	04.40.065.00	04.40.065.00
27B	End Glass	---	---	---	---	---	---	---
28	Glass, Front (Qty. 2)	04.40.067.00	04.40.067.00	04.40.067.00	04.40.067.00	04.40.067.00	04.40.067.00	04.40.067.00
29	Heating Element, Upper	R02.08.025D.00	R02.08.025D.00	R02.08.025D.00	R02.08.046E.00	R02.08.030E.00	R02.08.046E.00	R02.08.030E.00
30	Wire Guard	04.08.038.00	04.08.038.00	04.08.038.00	04.08.038.00	04.08.038.00	04.08.038.00	04.08.038.00
31	Infinite Control Switch (Qty. 2)	R02.19.018.00	R02.19.018.00	R02.19.018.00	R02.19.019.00	R02.19.019.00	R02.19.019.00	R02.19.019.00
	Electrical Drawing	HS2-2920	HS2-2938	HS2-2938	HS2-2931	HS2-2932	HS2-4209	HS2-4210

Shaded area reflects **export models only**. \* Not Shown

**PARTS SPECIFIC TO MODEL GRHDH-4PD**

ITEM	DESCRIPTION	120V	120/208V	120/240V	220V	240V	220-230V CE	230-240V CE
6A	Glass Door, Inner	R00.01.0012.00	R00.01.0012.00	R00.01.0012.00	R00.01.0012.00	R00.01.0012.00	R00.01.0012.00	R00.01.0012.00
6B	Glass Door, Inner, Mirror	R00.01.0024.00	R00.01.0024.00	R00.01.0024.00	R00.01.0024.00	R00.01.0024.00	R00.01.0024.00	R00.01.0024.00
7A	Glass Door, Outer	R00.01.0011.00	R00.01.0011.00	R00.01.0011.00	R00.01.0011.00	R00.01.0011.00	R00.01.0011.00	R00.01.0011.00
7B	Glass Door, Outer, Mirror	R00.01.0023.00	R00.01.0023.00	R00.01.0023.00	R00.01.0023.00	R00.01.0023.00	R00.01.0023.00	R00.01.0023.00
8A	Relay - SPST	02.01.088.00	02.01.088.00	02.01.188.00	02.01.180.00	02.01.105.00	02.01.180.00	02.01.105.00
8B	Relay - DPDT	02.01.097.00	02.01.097.00	02.01.097.00	---	---	---	---
8C	Relay - DPST	---	---	---	02.01.098.00	---	---	---
9A	Heating Element, Base	02.05.293.00	02.05.293.00	02.05.293.00	02.05.137.00	02.05.294.00	02.05.137.00	02.05.294.00
	Quantity	4	4	4	2	4	2	3
9B	Heating Element, Base	---	---	---	02.05.141.00	---	02.05.141.00	---
	Quantity	---	---	---	1	---	1	---
10	Heating Element, Water	02.05.295.00	02.05.295.00	02.05.295.00	02.05.296.00	02.05.296.00	02.05.296.00	02.05.296.00
11	Terminal Block - 3 Pole	---	---	---	---	---	R02.15.030.00	R02.15.030.00
12	High Limit, Automatic	R02.16.036.00	R02.16.036.00	R02.16.036.00	R02.16.036.00	R02.16.036.00	R02.16.036.00	R02.16.036.00
13	High Limit, Manual	02.16.071.00	02.16.071.00	02.16.071.00	02.16.071.00	02.16.071.00	02.16.071.00	02.16.071.00
14	Power Cord with Plug	02.18.039.00	02.18.085.00	02.18.085.00	02.18.038.00	02.18.068.00	02.18.038.00	02.18.068.00
15	Strain Relief	02.20.226.00	02.20.226.00	02.20.226.00	02.20.212.00	02.20.212.00	02.20.212.00	02.20.212.00
16	On/Off Switch	R02.19.006.00	R02.19.008A.00	R02.19.008A.00	R02.19.008A.00	R02.19.008A.00	R02.19.008A.00	R02.19.008A.00
17	Indicator Light, Red	02.19.154.00	02.19.154.00	02.19.154.00	02.19.151.00	02.19.151.00	---	---
	Indicator Light, Yellow	---	---	---	---	---	02.19.152.00	02.19.152.00
18	Indicator Light, Green	02.19.155.00	02.19.155.00	02.19.155.00	02.19.150.00	02.19.150.00	02.19.150.00	02.19.150.00
19	Rubber Boot, Toggle Switch*	02.20.283.00	02.20.283.00	02.20.283.00	02.20.283.00	02.20.283.00	02.20.040.00	02.20.040.00
20	Light Bulb (Qty. 11)	02.30.043.00	02.30.043.00	02.30.043.00	02.30.058.00	02.30.058.00	02.30.058.00	02.30.058.00
21	Pan Rail with Rubber Feet	---	---	---	---	---	---	---
22	Rubber Foot, Pan Rail	---	---	---	---	---	---	---
23	Pan Divider (Optional)	04.22.400.00	04.22.400.00	04.22.400.00	04.22.400.00	04.22.400.00	04.22.400.00	04.22.400.00
24	Water Trough	04.22.403.00	04.22.403.00	04.22.403.00	04.22.403.00	04.22.403.00	04.22.403.00	04.22.403.00
25	Pan Enclosure, 2 Pan (Optional)	04.22.406.00	04.22.406.00	04.22.406.00	04.22.406.00	04.22.406.00	04.22.406.00	04.22.406.00
26	Pan Enclosure, 1 Pan*	04.22.407.00	04.22.407.00	04.22.407.00	04.22.407.00	04.22.407.00	04.22.407.00	04.22.407.00
27A	End Glass (Qty. 2)	04.40.069.00	04.40.069.00	04.40.069.00	04.40.069.00	04.40.069.00	04.40.069.00	04.40.069.00
27B	End Glass (Qty. 2)	04.40.070.00	04.40.070.00	04.40.070.00	04.40.070.00	04.40.070.00	04.40.070.00	04.40.070.00
28	Glass, Front	04.40.072.00	04.40.072.00	04.40.072.00	04.40.072.00	04.40.072.00	04.40.072.00	04.40.072.00
29	Heating Element, Upper (Qty. 3)	R02.08.206D.00	R02.08.206D.00	R02.08.206D.00	R02.08.256E.00	R02.08.257E.00	R02.08.256E.00	R02.08.257E.00
30	Wire Guard (Qty. 3)	04.08.038.00	04.08.038.00	04.08.038.00	04.08.038.00	04.08.038.00	04.08.038.00	04.08.038.00
31	Infinite Control Switch (Qty. 3)	R02.19.018.00	R02.19.018.00	R02.19.018.00	R02.19.019.00	R02.19.019.00	R02.19.019.00	R02.19.019.00
	Electrical Drawing	HS2-2924	HS2-2925	HS2-2925	HS2-2940	HS2-2941	HS2-4221	HS2-4222

Shaded area reflects **export models only**. \* Not Shown



NOTES

---

---

---

---

---

---

---

---

---

---

---

---

---

---

---

---

---

---

---

**NOTES**

---

---

---

---

---

---

---

---

---

---

---

---

---

---

---

---

---

---

---

---

---

---

---

---

---

---

---

---

---

**NOTES**

---

---

---

---

---

---

---

---

---

---

---

---

---

---

---

---

---

---

---

---

---

---

---

---

---

---

---

---

---

---

## HATCO AUTHORIZED PARTS DISTRIBUTORS

### **ALABAMA**

Jones McLeod Appl. Svc.  
Birmingham 205-251-0159

### **ARIZONA**

Auth. Comm. Food Equip.  
Phoenix 602-234-2443  
Byassee Equipment Co.  
Phoenix 602-252-0402

### **CALIFORNIA**

Industrial Electric  
Huntington Beach 714-379-7100  
Chapman Appl. Service  
San Diego 619-298-7106  
P & D Appliance  
S. San Francisco 650-635-1900

### **COLORADO**

Hawkins Commercial Appliance  
Englewood 303-781-5548

### **DELAWARE**

Food Equipment Service  
Wilmington 302-996-9363

### **FLORIDA**

Whaley Foodservice Repair  
Jacksonville 904-725-7800  
Nass Service Co., Inc.  
Orlando 407-425-2681  
B.G.S.I.  
Pompano Beach 954-971-0456  
Comm. Appliance Service  
Tampa 813-663-0313

### **GEORGIA**

Southeastern Rest. Svc.  
Norcross 770-446-6177

### **HAWAII**

Burney's Comm. Service, Inc.  
Honolulu 808-848-1466  
Food Equip Parts & Service  
Honolulu 808-847-4871

### **ILLINOIS**

Parts Town  
Lombard 708-865-7278  
Eichenauer Elec. Service  
Decatur 217-429-4229  
Midwest Elec. Appl. Service  
Elmhurst 630-279-8000  
Cone's Repair Service  
Moline 309-797-5323

### **INDIANA**

GCS Service  
Indianapolis 317-545-9655

### **IOWA**

Electric Motor Service Co.  
Davenport 319-323-1823

### **KENTUCKY**

GCS Service  
Louisville 502-367-1788

### **LOUISIANA**

Chandlers Parts & Service  
Baton Rouge 225-272-6620  
Bana Comm. Parts, Inc.  
Shreveport 318-631-6550

### **MARYLAND**

Electric Motor Service  
Baltimore 410-467-8080  
GCS Service  
Silver Spring 301-585-7550

### **MASSACHUSETTS**

Ace Service Co., Inc.  
Needham 781-449-4220

### **MICHIGAN**

Commercial Kitchen Service  
Bay City 517-893-4561  
Bildons Appliance Service  
Detroit 248-478-3320  
Midwest Food Equip. Service  
Grandville 616-261-2000

### **MINNESOTA**

GCS Service  
Minneapolis 612-546-4221

### **MISSOURI**

GCS Service  
Kansas City 816-920-5999  
Commercial Kitchen Services  
St. Louis 314-890-0700  
Kaemmerlen Parts & Service  
St. Louis 314-535-2222

### **NEBRASKA**

Anderson Electric  
Omaha 402-341-1414

### **NEVADA**

Burney's Commercial  
Las Vegas 702-736-0006  
Hi. Tech Commercial Service  
N. Las Vegas 702-649-4616

### **NEW JERSEY**

Jay Hill Repair  
Fairfield 973-575-9145  
Service Plus  
Flanders 973-691-6300

### **NEW YORK**

Acme American Repairs, Inc.  
Brooklyn 718-456-6544  
Alpro Service Co.  
Brooklyn 718-386-2515

### **NEW YORK (continued)**

Appliance Installation  
Buffalo 716-884-7425  
Northern Parts Dist.  
Plattsburgh 518-563-3200  
J. B. Brady, Inc.  
Syracuse 315-422-9271

### **NORTH CAROLINA**

Authorized Appliance  
Charlotte 704-377-4501

### **OHIO**

Akron/Canton Comm. Svc. Inc.  
Akron 330-753-6635  
Certified Service Center  
Cincinnati 513-772-6600  
GCS Service  
Columbus 614-476-3225  
Electrical Appl. Repair Service  
Independence 216-459-8700  
E. A. Wichman Co.  
Toledo 419-385-9121

### **OKLAHOMA**

Hagar Rest. Service, Inc.  
Oklahoma City 405-235-2184  
Krueger, Inc.  
Oklahoma City 405-528-8883

### **OREGON**

Bressie Electric Co.  
Portland 503-231-7171  
Ron's Service, Inc.  
Portland 503-624-0890

### **PENNSYLVANIA**

Authorized Factory Service  
Coraopolis 412-262-2330  
FAST Comm. Appl. Service  
Philadelphia 215-288-4800  
GCS Service  
Pittsburgh 412-787-1970  
K & D Service Co.  
Harrisburg 717-236-9039  
Elmer Schultz Services  
Philadelphia 215-627-5401  
Electric Repair Co.  
Reading 610-376-5444

### **RHODE ISLAND**

Marshall Electric Co.  
Providence 401-331-1163

### **SOUTH CAROLINA**

Whaley Foodservice Repair  
W. Columbia 803-791-4420

### **TENNESSEE**

Camp Electric  
Memphis 901-527-7543

### **TEXAS**

Stove Parts Supply  
Fort Worth 817-831-0381  
Armstrong Repair Service  
Houston 713-666-7100  
Commercial Kitchen Repair Co.  
San Antonio 210-735-2811  
San Antonio Rest. Equip.  
San Antonio 210-532-1660

### **UTAH**

GCS Service  
Salt Lake City 801-487-3653

### **VIRGINIA**

Daubers  
Norfolk 757-855-4097  
Daubers  
Springfield 703-866-3600

### **WASHINGTON**

Restaurant Appl. Service  
Seattle 206-524-8200

### **WISCONSIN**

A.S.C., Inc.  
Madison 608-246-3160  
A.S.C., Inc.  
Milwaukee 414-543-6460

## **CANADA**

### **BRITISH COLUMBIA**

Key Food Equipment Service  
Vancouver 604-433-4484

### **ONTARIO**

R.G. Henderson Ltd.  
Toronto 416-422-5580  
Choquette CKS  
Ottawa 613-739-8458

### **QUÉBEC**

Choquette CKS  
Montreal 514-722-2000  
Choquette CKS  
Québec City 418-681-3944

## HATCO CORPORATION

P.O. Box 340500, Milwaukee, WI 53234-0500 U.S.A.

(800) 558-0607 (414) 671-6350

Parts & Service Fax (800) 690-2966 Int'l. Fax (414) 671-3976

www.hatcocorp.com