



FLAV-R-SAVOR[®]
Heat & Humidity
Merchandising Cabinets

FSD & FSDT Series

FSD-1

FSDT-1

FSD-1X

FSDT-1X

FSD-2

FSDT-2

FSD-2X

FSDT-2X

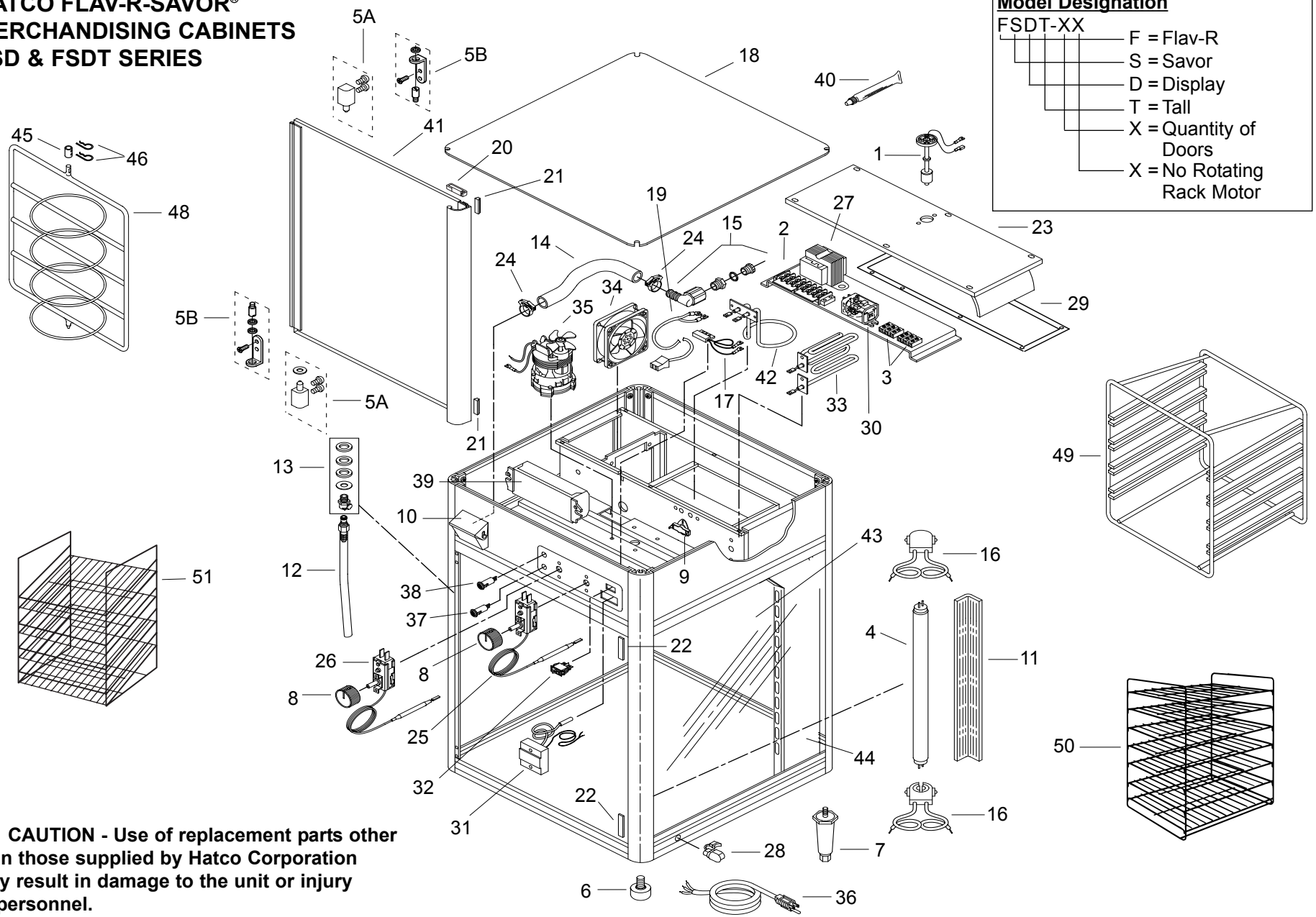
**REPLACEMENT
PARTS LIST**

**HATCO FLAV-R-SAVOR®
MERCHANDISING CABINETS
FSD & FSdT SERIES**

Model Designation

FSdT-XX

- F = Flav-R
- S = Savor
- D = Display
- T = Tall
- X = Quantity of Doors
- X = No Rotating Rack Motor



⚠ CAUTION - Use of replacement parts other than those supplied by Hatco Corporation may result in damage to the unit or injury to personnel.

PARTS COMMON TO ALL FSD & FSDT MODELS

ITEM	DESCRIPTION	PART NO.	QTY.	ITEM	DESCRIPTION	PART NO.	QTY.
1	Float Switch	R02.01.029.00	1	14	Hose, Reservoir	03.40.051.00	2 ft.
2	Terminal Block, 8-Pole	02.15.012.00	1	15	Connector, Hose	R03.40.052.00	1
3	Terminal Block, 3-Pole	02.15.028.00	2	16	Light Socket	02.30.073.00	4
4	Display Light, 15 Watt	02.30.074.00	2	17	Switch, Proximity	02.19.084.00	1-2†
5A	Hinges-Door with Hardware "A" Style	R00.01.0115.00	1-2†	18	Cover, Top	R04.17.622.00	1
5B	Hinges-Door with Hardware "B" Style	R00.01.0121.00	1-2†	19	Power Cord, Blower	02.12.001A.00	1
6	Foot, Rubber	05.30.044.00	4	20	Magnet, Proximity Switch	R02.19.084A.00	1-2†
7	Leg, 4" (10 cm), Plastic (optional)	05.30.007.00	4	21	Magnet, Door with Adhesive	R05.30.076.00	1-2†
8	Knob, Control	05.30.047.00	2	22	Striker Plate, Door	04.17.649.00	2-4†
9	Hi-Limit Disk	R02.16.118.00	1	23	Cover, Air Chamber	04.17.623.00	1
10	Fill Cup with Cover	R05.30.050.00	1	24	Hose Clamps	05.04.354.00	2
11	Lens Cover, Light	02.30.076.00	2	25	Temperature Control	02.16.039.00	1
12	Plastic Drain Tube Assembly	R03.40.054.00	1	26	Humidity Control	02.16.039.00	1
13	Ceiling Drain Assembly	R03.40.055.00	1	27	Transformer, Step Down	02.17.040.00	1
				28	Strain Relief	02.20.206.00	1
				29	Air Chamber Gasket	05.06.028.00	5 ft.

† Quantity required depends on quantity of doors.

PARTS SPECIFIC TO MODEL FSD-1

ITEM	DESCRIPTION	120V 60 Hz	120V Canada	220V 50 Hz/60 Hz	240V 50 Hz/60 Hz	220-230V CE 50 Hz/60 Hz	230-240V CE 50 Hz/60 Hz
30	Control Relay	02.01.028.00	02.01.028.00	02.01.043.00	02.01.043.00	02.01.043.00	02.01.043.00
31	Temperature Display	02.16.057.00	02.16.057.00	02.16.058.00	02.16.058.00	02.16.058.00	02.16.058.00
32	Rocker Switch, On/Off	02.19.080.00	02.19.080.00	02.19.081.00	02.19.081.00	02.19.081.00	02.19.081.00
33	Air Heating Element (1050 Watts)	R02.05.011.00	R02.05.011.00	R02.05.015.00	R02.05.012.00	R02.05.015.00	R02.05.012.00
34	Blower Motor	02.12.001.00	02.12.001.00	02.12.006.00	02.12.006.00	02.12.006.00	02.12.006.00
35	Rack Motor	02.12.005.00	02.12.005.00	02.12.047.00	02.12.047.00	02.12.047.00	02.12.047.00
36	Power Cord with Plug	02.18.035.00	02.18.082.00	02.18.109.00	02.18.120.00	02.18.109.00	02.18.120.00
37	Indicator Light, Low Water (Red)	02.19.154.00	02.19.154.00	02.19.151.00	02.19.151.00	02.19.151.00	02.19.151.00
38	Indicator Light, Humidity Cycle	02.19.155.00	02.19.155.00	02.19.157.00	02.19.157.00	02.19.157.00	02.19.157.00
39	Ballast	02.30.075.00	02.30.075.00	02.30.080.00	02.30.080.00	02.30.080.00	02.30.080.00
40	Motor Bearing Lube	05.01.018.00	05.01.018.00	05.01.018.00	05.01.018.00	05.01.018.00	05.01.018.00
41	Door*	R04.40.113.00	R04.40.113.00	R04.40.113.00	R04.40.113.00	R04.40.113.00	R04.40.113.00
42	Water Heating Element (325 Watts)	R02.05.006.00	R02.05.006.00	R02.05.016.00	R02.05.013.00	R02.05.016.00	R02.05.013.00
43	Glass Panel (Qty. 3)	04.40.112.00	04.40.112.00	04.40.112.00	04.40.112.00	04.40.112.00	04.40.112.00
44	Tube, Air Diffuser	04.17.629.00	04.17.629.00	04.17.629.00	04.17.629.00	04.17.629.00	04.17.629.00
45	Collar with Pins, Rack	R04.17.615.00	R04.17.615.00	R04.17.615.00	R04.17.615.00	R04.17.615.00	R04.17.615.00
46	Pins, Rack Collar (Qty. 2)	05.04.352.00	05.04.352.00	05.04.352.00	05.04.352.00	05.04.352.00	05.04.352.00
47	Motorless Rack Coupling (not shown)	---	---	---	---	---	---
48	Circle Rack, 3-Tier	04.17.640.00	04.17.640.00	04.17.640.00	04.17.640.00	04.17.640.00	04.17.640.00
	Circle Rack, 4-Tier	---	---	---	---	---	---
	Circle Rack, 5-Tier	---	---	---	---	---	---
49	Pan Rack, 3-Tier	04.17.010.00	04.17.010.00	04.17.010.00	04.17.010.00	04.17.010.00	04.17.010.00
	Pan Rack, 4-Tier	---	---	---	---	---	---
50	Multi-Purpose Rack, 5-Shelf	R04.17.012.01	R04.17.012.01	R04.17.012.01	R04.17.012.01	R04.17.012.01	R04.17.012.01
	Multi-Purpose Rack, 7-Shelf	---	---	---	---	---	---
51	Angle Rack, 3-Shelf	---	---	---	---	---	---
	Angle Rack, 5-Shelf	---	---	---	---	---	---
52	Terminal Block, 3-Pole (not shown)	---	---	---	---	R02.15.030.00	R02.15.030.00
	Electrical Drawing	HS2-3895	HS2-3895	HS2-4294	HS2-4292	HS2-5987	HS2-5986

Shaded area reflects **export models only**.

*All replacement doors are "B" style hinged doors and are retrofitable to all cabinets.

PARTS SPECIFIC TO MODEL FSD-1X

ITEM	DESCRIPTION	120V 60 Hz	120V Canada	220V 50 Hz/60 Hz	240V 50 Hz/60 Hz	220-230V CE 50 Hz/60 Hz	230-240V CE 50 Hz/60 Hz
30	Control Relay	02.01.028.00	02.01.028.00	02.01.043.00	02.01.043.00	02.01.043.00	02.01.043.00
31	Temperature Display	02.16.057.00	02.16.057.00	02.16.058.00	02.16.058.00	02.16.058.00	02.16.058.00
32	Rocker Switch, On/Off	02.19.080.00	02.19.080.00	02.19.081.00	02.19.081.00	02.19.081.00	02.19.081.00
33	Air Heating Element (1050 Watts)	R02.05.011.00	R02.05.011.00	R02.05.015.00	R02.05.012.00	R02.05.015.00	R02.05.012.00
34	Blower Motor	02.12.001.00	02.12.001.00	02.12.006.00	02.12.006.00	02.12.006.00	02.12.006.00
35	Rack Motor	---	---	---	---	---	---
36	Power Cord with Plug	02.18.035.00	02.18.082.00	02.18.109.00	02.18.120.00	02.18.109.00	02.18.120.00
37	Indicator Light, Low Water (Red)	02.19.154.00	02.19.154.00	02.19.151.00	02.19.151.00	02.19.151.00	02.19.151.00
38	Indicator Light, Humidity Cycle	02.19.155.00	02.19.155.00	02.19.157.00	02.19.157.00	02.19.157.00	02.19.157.00
39	Ballast	02.30.075.00	02.30.075.00	02.30.080.00	02.30.080.00	02.30.080.00	02.30.080.00
40	Motor Bearing Lube	---	---	---	---	---	---
41	Door*	R04.40.113.00	R04.40.113.00	R04.40.113.00	R04.40.113.00	R04.40.113.00	R04.40.113.00
42	Water Heating Element (325 Watts)	R02.05.006.00	R02.05.006.00	R02.05.016.00	R02.05.013.00	R02.05.016.00	R02.05.013.00
43	Glass Panel (Qty. 3)	04.40.112.00	04.40.112.00	04.40.112.00	04.40.112.00	04.40.112.00	04.40.112.00
44	Tube, Air Diffuser	04.17.629.00	04.17.629.00	04.17.629.00	04.17.629.00	04.17.629.00	04.17.629.00
45	Collar with Pins, Rack	---	---	---	---	---	---
46	Pins, Rack Collar	05.04.352.00	05.04.352.00	05.04.352.00	05.04.352.00	05.04.352.00	05.04.352.00
47	Motorless Rack Coupling (not shown)	R04.24.087.00	R04.24.087.00	R04.24.087.00	R04.24.087.00	R04.24.087.00	R04.24.087.00
48	Circle Rack, 3-Tier (requires #47)	04.17.640.00	04.17.640.00	04.17.640.00	04.17.640.00	04.17.640.00	04.17.640.00
	Circle Rack, 4-Tier	---	---	---	---	---	---
	Circle Rack, 5-Tier	---	---	---	---	---	---
49	Pan Rack, 3-Tier	04.17.010.00	04.17.010.00	04.17.010.00	04.17.010.00	04.17.010.00	04.17.010.00
	Pan Rack, 4-Tier	---	---	---	---	---	---
50	Multi-Purpose Rack, 5-Shelf	R04.17.012.01	R04.17.012.01	R04.17.012.01	R04.17.012.01	R04.17.012.01	R04.17.012.01
	Multi-Purpose Rack, 7-Shelf	---	---	---	---	---	---
51	Angle Rack, 3-Shelf	---	---	---	---	---	---
	Angle Rack, 5-Shelf	---	---	---	---	---	---
52	Terminal Block, 3-Pole (not shown)	---	---	---	---	R02.15.030.00	R02.15.030.00
	Electrical Drawing	HS2-3895	HS2-3895	HS2-4294	HS2-4292	HS2-5987	HS2-5986

Shaded area reflects **export models only**.

*All replacement doors are "B" style hinged doors and are retrofitable to all cabinets.

PARTS SPECIFIC TO MODEL FSD-2

ITEM	DESCRIPTION	120V 60 Hz	120V Canada	220V 50 Hz/60 Hz	240V 50 Hz/60 Hz	220-230V CE 50 Hz/60 Hz	230-240V CE 50 Hz/60 Hz
30	Control Relay	02.01.028.00	02.01.028.00	02.01.043.00	02.01.043.00	02.01.043.00	02.01.043.00
31	Temperature Display	02.16.057.00	02.16.057.00	02.16.058.00	02.16.058.00	02.16.058.00	02.16.058.00
32	Rocker Switch, On/Off	02.19.080.00	02.19.080.00	02.19.081.00	02.19.081.00	02.19.081.00	02.19.081.00
33	Air Heating Element (1050 Watts)	R02.05.011.00	R02.05.011.00	R02.05.015.00	R02.05.012.00	R02.05.015.00	R02.05.012.00
34	Blower Motor	02.12.001.00	02.12.001.00	02.12.006.00	02.12.006.00	02.12.006.00	02.12.006.00
35	Rack Motor	02.12.005.00	02.12.005.00	02.12.047.00	02.12.047.00	02.12.047.00	02.12.047.00
36	Power Cord with Plug	02.18.035.00	02.18.082.00	02.18.109.00	02.18.120.00	02.18.109.00	02.18.120.00
37	Indicator Light, Low Water (Red)	02.19.154.00	02.19.154.00	02.19.151.00	02.19.151.00	02.19.151.00	02.19.151.00
38	Indicator Light, Humidity Cycle	02.19.155.00	02.19.155.00	02.19.157.00	02.19.157.00	02.19.157.00	02.19.157.00
39	Ballast	02.30.075.00	02.30.075.00	02.30.080.00	02.30.080.00	02.30.080.00	02.30.080.00
40	Motor Bearing Lube	05.01.018.00	05.01.018.00	05.01.018.00	05.01.018.00	05.01.018.00	05.01.018.00
41	Door (Qty. 2)*	R04.40.113.00	R04.40.113.00	R04.40.113.00	R04.40.113.00	R04.40.113.00	R04.40.113.00
42	Water Heating Element (325 Watts)	R02.05.006.00	R02.05.006.00	R02.05.016.00	R02.05.013.00	R02.05.016.00	R02.05.013.00
43	Glass Panel (Qty. 2)	04.40.112.00	04.40.112.00	04.40.112.00	04.40.112.00	04.40.112.00	04.40.112.00
44	Tube, Air Diffuser	04.17.629.00	04.17.629.00	04.17.629.00	04.17.629.00	04.17.629.00	04.17.629.00
45	Collar with Pins, Rack	R04.17.615.00	R04.17.615.00	R04.17.615.00	R04.17.615.00	R04.17.615.00	R04.17.615.00
46	Pins, Rack Collar (Qty. 2)	05.04.352.00	05.04.352.00	05.04.352.00	05.04.352.00	05.04.352.00	05.04.352.00
47	Motorless Rack Coupling (not shown)	---	---	---	---	---	---
48	Circle Rack, 3-Tier	04.17.640.00	04.17.640.00	04.17.640.00	04.17.640.00	04.17.640.00	04.17.640.00
	Circle Rack, 4-Tier	---	---	---	---	---	---
	Circle Rack, 5-Tier	---	---	---	---	---	---
49	Pan Rack, 3-Tier	04.17.010.00	04.17.010.00	04.17.010.00	04.17.010.00	04.17.010.00	04.17.010.00
	Pan Rack, 4-Tier	---	---	---	---	---	---
50	Multi-Purpose Rack, 5-Shelf	R04.17.012.01	R04.17.012.01	R04.17.012.01	R04.17.012.01	R04.17.012.01	R04.17.012.01
	Multi-Purpose Rack, 7-Shelf	---	---	---	---	---	---
51	Angle Rack, 3-Shelf	---	---	---	---	---	---
	Angle Rack, 5-Shelf	---	---	---	---	---	---
52	Terminal Block, 3-Pole (not shown)	---	---	---	---	R02.15.030.00	R02.15.030.00
	Electrical Drawing	HS2-3895	HS2-3895	HS2-4294	HS2-4292	HS2-5897	HS2-5896

Shaded area reflects **export models only**.

*All replacement doors are "B" style hinged doors and are retrofittable to all cabinets.

PARTS SPECIFIC TO MODEL FSD-2X

ITEM	DESCRIPTION	120V 60 Hz	120V Canada	220V 50 Hz/60 Hz	240V 50 Hz/60 Hz	220-230V CE 50 Hz/60 Hz	230-240V CE 50 Hz/60 Hz
30	Control Relay	02.01.028.00	02.01.028.00	02.01.043.00	02.01.043.00	02.01.043.00	02.01.043.00
31	Temperature Display	02.16.057.00	02.16.057.00	02.16.058.00	02.16.058.00	02.16.058.00	02.16.058.00
32	Rocker Switch, On/Off	02.19.080.00	02.19.080.00	02.19.081.00	02.19.081.00	02.19.081.00	02.19.081.00
33	Air Heating Element (1050 Watts)	R02.05.011.00	R02.05.011.00	R02.05.015.00	R02.05.012.00	R02.05.015.00	R02.05.012.00
34	Blower Motor	02.12.001.00	02.12.001.00	02.12.006.00	02.12.006.00	02.12.006.00	02.12.006.00
35	Rack Motor	---	---	---	---	---	---
36	Power Cord with Plug	02.18.035.00	02.18.082.00	02.18.109.00	02.18.120.00	02.18.109.00	02.18.120.00
37	Indicator Light, Low Water (Red)	02.19.154.00	02.19.154.00	02.19.151.00	02.19.151.00	02.19.151.00	02.19.151.00
38	Indicator Light, Humidity Cycle	02.19.155.00	02.19.155.00	02.19.157.00	02.19.157.00	02.19.157.00	02.19.157.00
39	Ballast	02.30.075.00	02.30.075.00	02.30.080.00	02.30.080.00	02.30.080.00	02.30.080.00
40	Motor Bearing Lube	---	---	---	---	---	---
41	Door (Qty. 2)*	R04.40.113.00	R04.40.113.00	R04.40.113.00	R04.40.113.00	R04.40.113.00	R04.40.113.00
42	Water Heating Element (325 Watts)	R02.05.006.00	R02.05.006.00	R02.05.016.00	R02.05.013.00	R02.05.016.00	R02.05.013.00
43	Glass Panel (Qty. 2)	04.40.112.00	04.40.112.00	04.40.112.00	04.40.112.00	04.40.112.00	04.40.112.00
44	Tube, Air Diffuser	04.17.629.00	04.17.629.00	04.17.629.00	04.17.629.00	04.17.629.00	04.17.629.00
45	Collar with Pins, Rack	---	---	---	---	---	---
46	Pins, Rack Collar	05.04.352.00	05.04.352.00	05.04.352.00	05.04.352.00	05.04.352.00	05.04.352.00
47	Motorless Rack Coupling (not shown)	R04.24.087.00	R04.24.087.00	R04.24.087.00	R04.24.087.00	R04.24.087.00	R04.24.087.00
48	Circle Rack, 3-Tier (requires #47)	04.17.640.00	04.17.640.00	04.17.640.00	04.17.640.00	04.17.640.00	04.17.640.00
	Circle Rack, 4-Tier	---	---	---	---	---	---
	Circle Rack, 5-Tier	---	---	---	---	---	---
49	Pan Rack, 3-Tier	04.17.010.00	04.17.010.00	04.17.010.00	04.17.010.00	04.17.010.00	04.17.010.00
	Pan Rack, 4-Tier	---	---	---	---	---	---
50	Multi-Purpose Rack, 5-Shelf	R04.17.012.01	R04.17.012.01	R04.17.012.01	R04.17.012.01	R04.17.012.01	R04.17.012.01
	Multi-Purpose Rack, 7-Shelf	---	---	---	---	---	---
51	Angle Rack, 3-Shelf	---	---	---	---	---	---
	Angle Rack, 5-Shelf	---	---	---	---	---	---
52	Terminal Block, 3- Pole (not shown)	---	---	---	---	R02.15.030.00	R02.15.030.00
	Electrical Drawing	HS2-3895	HS2-3895	HS2-4294	HS2-4292	HS2-5897	HS2-5896

Shaded area reflects **export models only**.

*All replacement doors are "B" style hinged doors and are retrofitable to all cabinets.

PARTS SPECIFIC TO MODEL FSDT-1

ITEM	DESCRIPTION	120V 60 Hz	120V Canada	220V 50 Hz/60 Hz	240V 50 Hz/60 Hz	220-230V CE 50 Hz/60 Hz	230-240V CE 50 Hz/60 Hz
30	Control Relay	02.01.028.00	02.01.028.00	02.01.043.00	02.01.043.00	02.01.043.00	02.01.043.00
31	Temperature Display	02.16.057.00	02.16.057.00	02.16.058.00	02.16.058.00	02.16.058.00	02.16.058.00
32	Rocker Switch, On/Off	02.19.080.00	02.19.080.00	02.19.081.00	R2.19.081.00	02.19.081.00	R2.19.081.00
33	Air Heating Element (1050 Watts)	R02.05.011.00	R02.05.011.00	R02.05.015.00	R02.05.012.00	R02.05.015.00	R02.05.012.00
34	Blower Motor	02.12.001.00	02.12.001.00	02.12.006.00	02.12.006.00	02.12.006.00	02.12.006.00
35	Rack Motor	02.12.005.00	02.12.005.00	02.12.047.00	02.12.047.00	02.12.047.00	02.12.047.00
36	Power Cord with Plug	02.18.035.00	02.18.082.00	02.18.109.00	02.18.120.00	02.18.109.00	02.18.120.00
37	Indicator Light, Low Water (Red)	02.19.154.00	02.19.154.00	02.19.151.00	02.19.151.00	02.19.151.00	02.19.151.00
38	Indicator Light, Humidity Cycle	02.19.155.00	02.19.155.00	02.19.157.00	02.19.157.00	02.19.157.00	02.19.157.00
39	Ballast	02.30.075.00	02.30.075.00	02.30.080.00	02.30.080.00	02.30.080.00	02.30.080.00
40	Motor Bearing Lube	05.01.018.00	05.01.018.00	05.01.018.00	05.01.018.00	05.01.018.00	05.01.018.00
41	Door*	R04.40.115.00	R04.40.115.00	R04.40.115.00	R04.40.115.00	R04.40.115.00	R04.40.115.00
42	Water Heating Element (325 Watts)	R02.05.006.00	R02.05.006.00	R02.05.016.00	R02.05.013.00	R02.05.016.00	R02.05.013.00
43	Glass Panel (Qty. 3)	04.40.114.00	04.40.114.00	04.40.114.00	04.40.114.00	04.40.114.00	04.40.114.00
44	Tube, Air Diffuser	04.17.627.00	04.17.627.00	04.17.627.00	04.17.627.00	04.17.627.00	04.17.627.00
45	Collar with Pins, Rack	R04.17.615.00	R04.17.615.00	R04.17.615.00	R04.17.615.00	R04.17.615.00	R04.17.615.00
46	Pins, Rack Collar (Qty. 2)	05.04.352.00	05.04.352.00	05.04.352.00	05.04.352.00	05.04.352.00	05.04.352.00
47	Motorless Rack Coupling (not shown)	---	---	---	---	---	---
48	Circle Rack, 3-Tier	---	---	---	---	---	---
	Circle Rack, 4-Tier	04.17.641.00	04.17.641.00	04.17.641.00	04.17.641.00	04.17.641.00	04.17.641.00
	Circle Rack, 5-Tier	04.17.642.00	04.17.642.00	04.17.642.00	04.17.642.00	04.17.642.00	04.17.642.00
49	Pan Rack, 3-Tier	04.17.010.00	04.17.010.00	04.17.010.00	04.17.010.00	04.17.010.00	04.17.010.00
	Pan Rack, 4-Tier	04.17.027.00	04.17.027.00	04.17.027.00	04.17.027.00	04.17.027.00	04.17.027.00
50	Multi-Purpose Rack, 5-Shelf	---	---	---	---	---	---
	Multi-Purpose Rack, 7-Shelf	R04.17.012.00	R04.17.012.00	R04.17.012.00	R04.17.012.00	R04.17.012.00	R04.17.012.00
51	Angle Rack, 3-Shelf	R04.17.013.00	R04.17.013.00	R04.17.013.00	R04.17.013.00	R04.17.013.00	R04.17.013.00
	Angle Rack, 5-Shelf	R04.17.019.00	R04.17.019.00	R04.17.019.00	R04.17.019.00	R04.17.019.00	R04.17.019.00
52	Terminal Block, 3-Pole (not shown)	---	---	---	---	R02.15.030.00	R02.15.030.00
	Electrical Drawing	HS2-3895	HS2-3895	HS2-4294	HS2-4292	HS2-5897	HS2-5896

Shaded area reflects **export models only**.

*All replacement doors are "B" style hinged doors and are retrofitable to all cabinets.

PARTS SPECIFIC TO MODEL FSDT-1X

ITEM	DESCRIPTION	120V 60 Hz	120V Canada	220V 50 Hz/60 Hz	240V 50 Hz/60 Hz	220-230V CE 50 Hz/60 Hz	230-240V CE 50 Hz/60 Hz
30	Control Relay	02.01.028.00	02.01.028.00	02.01.043.00	02.01.043.00	02.01.043.00	02.01.043.00
31	Temperature Display	02.16.057.00	02.16.057.00	02.16.058.00	02.16.058.00	02.16.058.00	02.16.058.00
32	Rocker Switch, On/Off	02.19.080.00	02.19.080.00	02.19.081.00	02.19.081.00	02.19.081.00	02.19.081.00
33	Air Heating Element (1050 Watts)	R02.05.011.00	R02.05.011.00	R02.05.015.00	R02.05.012.00	R02.05.015.00	R02.05.012.00
34	Blower Motor	02.12.001.00	02.12.001.00	02.12.006.00	02.12.006.00	02.12.006.00	02.12.006.00
35	Rack Motor	---	---	---	---	---	---
36	Power Cord with Plug	02.18.035.00	02.18.082.00	02.18.109.00	02.18.120.00	02.18.109.00	02.18.120.00
37	Indicator Light, Low Water (Red)	02.19.154.00	02.19.154.00	02.19.151.00	02.19.151.00	02.19.151.00	02.19.151.00
38	Indicator Light, Humidity Cycle	02.19.155.00	02.19.155.00	02.19.157.00	02.19.157.00	02.19.157.00	02.19.157.00
39	Ballast	02.30.075.00	02.30.075.00	02.30.080.00	02.30.080.00	02.30.080.00	02.30.080.00
40	Motor Bearing Lube	---	---	---	---	---	---
41	Door*	R04.40.115.00	R04.40.115.00	R04.40.115.00	R04.40.115.00	R04.40.115.00	R04.40.115.00
42	Water Heating Element (325 Watts)	R02.05.006.00	R02.05.006.00	R02.05.016.00	R02.05.013.00	R02.05.016.00	R02.05.013.00
43	Glass Panel (Qty. 3)	04.40.114.00	04.40.114.00	04.40.114.00	04.40.114.00	04.40.114.00	04.40.114.00
44	Tube, Air Diffuser	04.17.627.00	04.17.627.00	04.17.627.00	04.17.627.00	04.17.627.00	04.17.627.00
45	Collar with Pins, Rack	---	---	---	---	---	---
46	Pins, Rack Collar	05.04.352.00	05.04.352.00	05.04.352.00	05.04.352.00	05.04.352.00	05.04.352.00
47	Motorless Rack Coupling (not shown)	R04.24.087.00	R04.24.087.00	R04.24.087.00	R04.24.087.00	R04.24.087.00	R04.24.087.00
48	Circle Rack, 3-Tier	---	---	---	---	---	---
	Circle Rack, 4-Tier (requires #47)	04.17.641.00	04.17.641.00	04.17.641.00	04.17.641.00	04.17.641.00	04.17.641.00
	Circle Rack, 5-Tier (requires #47)	04.17.642.00	04.17.642.00	04.17.642.00	04.17.642.00	04.17.642.00	04.17.642.00
49	Pan Rack, 3-Tier	04.17.010.00	04.17.010.00	04.17.010.00	04.17.010.00	04.17.010.00	04.17.010.00
	Pan Rack, 4-Tier	04.17.027.00	04.17.027.00	04.17.027.00	04.17.027.00	04.17.027.00	04.17.027.00
50	Multi-Purpose Rack, 5-Shelf	---	---	---	---	---	---
	Multi-Purpose Rack, 7-Shelf	R04.17.012.00	R04.17.012.00	R04.17.012.00	R04.17.012.00	R04.17.012.00	R04.17.012.00
51	Angle Rack, 3-Shelf	R04.17.013.00	R04.17.013.00	R04.17.013.00	R04.17.013.00	R04.17.013.00	R04.17.013.00
	Angle Rack, 5-Shelf	R04.17.019.00	R04.17.019.00	R04.17.019.00	R04.17.019.00	R04.17.019.00	R04.17.019.00
52	Terminal Block, 3-Pole (not shown)	---	---	---	---	R02.15.030.00	R02.15.030.00
	Electrical Drawing	HS2-3895	HS2-3895	HS2-4294	HS2-4292	HS2-5897	HS2-5896

Shaded area reflects **export models only**.

*All replacement doors are "B" style hinged doors and are retrofitable to all cabinets.

PARTS SPECIFIC TO MODEL FSDT-2

ITEM	DESCRIPTION	120V 60 Hz	120V Canada	220V 50 Hz/60 Hz	240V 50 Hz/60Hz	220-230V CE 50 Hz/60 Hz	230-240V CE 50 Hz/60 Hz
30	Control Relay	02.01.028.00	02.01.028.00	02.01.043.00	02.01.043.00	02.01.043.00	02.01.043.00
31	Temperature Display	02.16.057.00	02.16.057.00	02.16.058.00	02.16.058.00	02.16.058.00	02.16.058.00
32	Rocker Switch, On/Off	02.19.080.00	02.19.080.00	02.19.081.00	02.19.081.00	02.19.081.00	02.19.081.00
33	Air Heating Element (1050 Watts)	R02.05.011.00	R02.05.011.00	R02.05.015.00	R02.05.012.00	R02.05.015.00	R02.05.012.00
34	Blower Motor	02.12.001.00	02.12.001.00	02.12.006.00	02.12.006.00	02.12.006.00	02.12.006.00
35	Rack Motor	02.12.005.00	02.12.005.00	02.12.047.00	02.12.047.00	02.12.047.00	02.12.047.00
36	Power Cord with Plug	02.18.035.00	02.18.082.00	02.18.109.00	02.18.120.00	02.18.109.00	02.18.120.00
37	Indicator Light, Low Water (Red)	02.19.154.00	02.19.154.00	02.19.151.00	02.19.151.00	02.19.151.00	02.19.151.00
38	Indicator Light, Humidity Cycle	02.19.155.00	02.19.155.00	02.19.157.00	02.19.157.00	02.19.157.00	02.19.157.00
39	Ballast	02.30.075.00	02.30.075.00	02.30.080.00	02.30.080.00	02.30.080.00	02.30.080.00
40	Motor Bearing Lube	05.01.018.00	05.01.018.00	05.01.018.00	05.01.018.00	05.01.018.00	05.01.018.00
41	Door (Qty. 2)*	R04.40.115.00	R04.40.115.00	R04.40.115.00	R04.40.115.00	R04.40.115.00	R04.40.115.00
42	Water Heating Element (325 Watts)	R02.05.006.00	R02.05.006.00	R02.05.016.00	R02.05.013.00	R02.05.016.00	R02.05.013.00
43	Glass Panel (Qty. 2)	04.40.114.00	04.40.114.00	04.40.114.00	04.40.114.00	04.40.114.00	04.40.114.00
44	Tube, Air Diffuser	04.17.627.00	04.17.627.00	04.17.627.00	04.17.627.00	04.17.627.00	04.17.627.00
45	Collar with Pins, Rack	R04.17.615.00	R04.17.615.00	R04.17.615.00	R04.17.615.00	R04.17.615.00	R04.17.615.00
46	Pins, Rack Collar (Qty. 2)	05.04.352.00	05.04.352.00	05.04.352.00	05.04.352.00	05.04.352.00	05.04.352.00
47	Motorless Rack Coupling (not shown)	---	---	---	---	---	---
48	Circle Rack, 3-Tier	---	---	---	---	---	---
	Circle Rack, 4-Tier	04.17.641.00	04.17.641.00	04.17.641.00	04.17.641.00	04.17.641.00	04.17.641.00
	Circle Rack, 5-Tier	04.17.642.00	04.17.642.00	04.17.642.00	04.17.642.00	04.17.642.00	04.17.642.00
49	Pan Rack, 3-Tier	04.17.010.00	04.17.010.00	04.17.010.00	04.17.010.00	04.17.010.00	04.17.010.00
	Pan Rack, 4-Tier	04.17.027.00	04.17.027.00	04.17.027.00	04.17.027.00	04.17.027.00	04.17.027.00
50	Multi-Purpose Rack, 5-Shelf	---	---	---	---	---	---
	Multi-Purpose Rack, 7-Shelf	R04.17.012.00	R04.17.012.00	R04.17.012.00	R04.17.012.00	R04.17.012.00	R04.17.012.00
51	Angle Rack, 3-Shelf	R04.17.013.00	R04.17.013.00	R04.17.013.00	R04.17.013.00	R04.17.013.00	R04.17.013.00
	Angle Rack, 5-Shelf	R04.17.019.00	R04.17.019.00	R04.17.019.00	R04.17.019.00	R04.17.019.00	R04.17.019.00
52	Terminal Block, 3-Pole (not shown)	---	---	---	---	R02.15.030.00	R02.15.030.00
	Electrical Drawing	HS2-3895	HS2-3895	HS2-4294	HS2-4292	HS2-5897	HS2-5896

Shaded area reflects **export models only**.

*All replacement doors are "B" style hinged doors and are retrofitable to all cabinets.

PARTS SPECIFIC TO MODEL FSDT-2X

ITEM	DESCRIPTION	120V 60 Hz	120V Canada	220V 50 Hz/60 Hz	240V 50 Hz/60 Hz	220-230V CE 50 Hz/60 Hz	230-240V CE 50 Hz/60 Hz
30	Control Relay	02.01.028.00	02.01.028.00	02.01.043.00	02.01.043.00	02.01.043.00	02.01.043.00
31	Temperature Display	02.16.057.00	02.16.057.00	02.16.058.00	02.16.058.00	02.16.058.00	02.16.058.00
32	Rocker Switch, On/Off	02.19.080.00	02.19.080.00	02.19.081.00	02.19.081.00	02.19.081.00	02.19.081.00
33	Air Heating Element (1050 Watts)	R02.05.011.00	R02.05.011.00	R02.05.015.00	R02.05.012.00	R02.05.015.00	R02.05.012.00
34	Blower Motor	02.12.001.00	02.12.001.00	02.12.006.00	02.12.006.00	02.12.006.00	02.12.006.00
35	Rack Motor	---	---	---	---	---	---
36	Power Cord with Plug	02.18.035.00	02.18.082.00	02.18.109.00	02.18.120.00	02.18.109.00	02.18.120.00
37	Indicator Light, Low Water (Red)	02.19.154.00	02.19.154.00	02.19.151.00	02.19.151.00	02.19.151.00	02.19.151.00
38	Indicator Light, Humidity Cycle	02.19.155.00	02.19.155.00	02.19.157.00	02.19.157.00	02.19.157.00	02.19.157.00
39	Ballast	02.30.075.00	02.30.075.00	02.30.080.00	02.30.080.00	02.30.080.00	02.30.080.00
40	Motor Bearing Lube	---	---	---	---	---	---
41	Door (Qty. 2)*	R04.40.115.00	R04.40.115.00	R04.40.115.00	R04.40.115.00	R04.40.115.00	R04.40.115.00
42	Water Heating Element (325 Watts)	R02.05.006.00	R02.05.006.00	R02.05.016.00	R02.05.013.00	R02.05.016.00	R02.05.013.00
43	Glass Panel (Qty. 2)	04.40.114.00	04.40.114.00	04.40.114.00	04.40.114.00	04.40.114.00	04.40.114.00
44	Tube, Air Diffuser	04.17.629.00	04.17.629.00	04.17.629.00	04.17.629.00	04.17.629.00	04.17.629.00
45	Collar with Pins, Rack	---	---	---	---	---	---
46	Pins, Rack Collar	05.04.352.00	05.04.352.00	05.04.352.00	05.04.352.00	05.04.352.00	05.04.352.00
47	Motorless Rack Coupling (not shown)	R04.24.087.00	R04.24.087.00	R04.24.087.00	R04.24.087.00	R04.24.087.00	R04.24.087.00
48	Circle Rack, 3-Tier	---	---	---	---	---	---
	Circle Rack, 4-Tier (requires #47)	04.17.641.00	04.17.641.00	04.17.641.00	04.17.641.00	04.17.641.00	04.17.641.00
	Circle Rack, 5-Tier (requires #47)	04.17.642.00	04.17.642.00	04.17.642.00	04.17.642.00	04.17.642.00	04.17.642.00
49	Pan Rack, 3-Tier	04.17.010.00	04.17.010.00	04.17.010.00	04.17.010.00	04.17.010.00	04.17.010.00
	Pan Rack, 4-Tier	04.17.027.00	04.17.027.00	04.17.027.00	04.17.027.00	04.17.027.00	04.17.027.00
50	Multi-Purpose Rack, 5-Shelf	---	---	---	---	---	---
	Multi-Purpose Rack, 7-Shelf	R04.17.012.00	R04.17.012.00	R04.17.012.00	R04.17.012.00	R04.17.012.00	R04.17.012.00
51	Angle Rack, 3-Shelf	R04.17.013.00	R04.17.013.00	R04.17.013.00	R04.17.013.00	R04.17.013.00	R04.17.013.00
	Angle Rack, 5-Shelf	R04.17.019.00	R04.17.019.00	R04.17.019.00	R04.17.019.00	R04.17.019.00	R04.17.019.00
52	Terminal Block, 3-Pole (not shown)	---	---	---	---	R02.15.030.00	R02.15.030.00
	Electrical Drawing	HS2-3895	HS2-3895	HS2-4294	HS2-4292	HS2-5897	HS2-5896

Shaded area reflects **export models only**.

*All replacement doors are "B" style hinged doors and are retrofitable to all cabinets.

HATCO AUTHORIZED PARTS DISTRIBUTORS

ALABAMA

Jones McLeod Appl. Svc.
Birmingham 205-251-0159

ARIZONA

Auth. Comm. Food Equip.
Phoenix 602-234-2443
Byassee Equipment Co.
Phoenix 602-252-0402

CALIFORNIA

Industrial Electric
Huntington Beach 714-379-7100
Chapman Appl. Service
San Diego 619-298-7106
P & D Appliance
S. San Francisco 650-635-1900

COLORADO

Hawkins Commercial Appliance
Englewood 303-781-5548

DELAWARE

Food Equipment Service
Wilmington 302-996-9363

FLORIDA

Whaley Foodservice Repair
Jacksonville 904-725-7800
Nass Service Co., Inc.
Orlando 407-425-2681
B.G.S.I.
Pompano Beach 954-971-0456
Comm. Appliance Service
Tampa 813-663-0313

GEORGIA

Southeastern Rest. Svc.
Norcross 770-446-6177

HAWAII

Burney's Comm. Service, Inc.
Honolulu 808-848-1466
Food Equip Parts & Service
Honolulu 808-847-4871

ILLINOIS

Parts Town
Lombard 708-865-7278
Eichenauer Elec. Service
Decatur 217-429-4229
Midwest Elec. Appl. Service
Elmhurst 630-279-8000
Cone's Repair Service
Moline 309-797-5323

INDIANA

GCS Service
Indianapolis 317-545-9655

IOWA

Electric Motor Service Co.
Davenport 319-323-1823

KENTUCKY

GCS Service
Louisville 502-3671788

LOUISIANA

Chandlers Parts & Service
Baton Rouge 225-272-6620
Bana Comm. Parts, Inc.
Shreveport 318-631-6550

MARYLAND

Electric Motor Service
Baltimore 410-467-8080
GCS Service
Silver Spring 301-585-7550

MASSACHUSETTS

Ace Service Co., Inc.
Needham 781-449-4220

MICHIGAN

Commercial Kitchen Service
Bay City 517-893-4561
Bildons Appliance Service
Detroit 248-478-3320

Midwest Food Equip. Service
Grandville 616-261-2000

MINNESOTA

GCS Service
Minneapolis 612-546-4221

MISSOURI

GCS Service
Kansas City 816-920-5999
Commercial Kitchen Services
St. Louis 314-890-0700

Kaemmerlen Parts & Service
St. Louis 314-535-2222

NEBRASKA

Anderson Electric
Omaha 402-341-1414

NEVADA

Burney's Commercial
Las Vegas 702-736-0006
Hi. Tech Commercial Service
N. Las Vegas 702-649-4616

NEW JERSEY

Jay Hill Repair
Fairfield 973-575-9145
Service Plus
Flanders 973-691-6300

NEW YORK

Acme American Repairs, Inc.
Brooklyn 718-456-6544
Alpro Service Co.
Brooklyn 718-386-2515

NEW YORK (continued)

Appliance Installation
Buffalo 716-884-7425
Northern Parts Dist.
Plattsburgh 518-563-3200
J. B. Brady, Inc.
Syracuse 315-422-9271

NORTH CAROLINA

Authorized Appliance
Charlotte 704-377-4501

OHIO

Akron/Canton Comm. Svc. Inc.
Akron 330-753-6635
Certified Service Center
Cincinnati 513-772-6600
GCS Service
Columbus 614-476-3225
Electrical Appl. Repair Service
Independence 216-459-8700
E. A. Wichman Co.
Toledo 419-385-9121

OKLAHOMA

Hagar Rest. Service, Inc.
Oklahoma City 405-235-2184
Krueger, Inc.
Oklahoma City 405-528-8883

OREGON

Bressie Electric Co.
Portland 503-231-7171
Ron's Service, Inc.
Portland 503-624-0890

PENNSYLVANIA

Authorized Factory Service
Coraopolis 412-262-2330
FAST Comm. Appl. Service
Philadelphia 215-288-4800
GCS Service
Pittsburgh 412-787-1970
K & D Service Co.
Harrisburg 717-236-9039
Elmer Schultz Services
Philadelphia 215-627-5401
Electric Repair Co.
Reading 610-376-5444

RHODE ISLAND

Marshall Electric Co.
Providence 401-331-1163

SOUTH CAROLINA

Whaley Foodservice Repair
W. Columbia 803-791-4420

TENNESSEE

Camp Electric
Memphis 901-527-7543

TEXAS

Stove Parts Supply
Fort Worth 817-831-0381
Armstrong Repair Service
Houston 713-666-7100
Commercial Kitchen Repair Co.
San Antonio 210-735-2811
San Antonio Rest. Equip.
San Antonio 210-532-1660

UTAH

GCS Service
Salt Lake City 801-487-3653

VIRGINIA

Daubers
Norfolk 757-855-4097
Daubers
Springfield 703-866-3600

WASHINGTON

Restaurant Appl. Service
Seattle 206-524-8200

WISCONSIN

A.S.C., Inc.
Madison 608-246-3160
A.S.C., Inc.
Milwaukee 414-543-6460

CANADA

BRITISH COLUMBIA

Key Food Equipment Service
Vancouver 604-433-4484

ONTARIO

R.G. Henderson Ltd.
Toronto 416-422-5580
Choquette CKS
Ottawa 613-739-8458

QUÉBEC

Choquette CKS
Montreal 514-722-2000
Choquette CKS
Québec City 418-681-3944

HATCO CORPORATION

P.O. Box 340500, Milwaukee, WI 53234-0500 U.S.A.

(800) 558-0607 (414) 671-6350

Parts & Service Fax (800) 690-2966 Int'l. Fax (414) 671-3976

www.hatcocorp.com