



# FM-5

FLOWMAX®



## ◆ Product features

- Temperature range of 65 °C - 97 °C
- Up to 150 cups ( 167ml/cup ) of hot water per hour ( up to 25L of hot water per hour )
- Energy-saving, programmable power-save mode
- Programmable on-demand dispense volume



5L water tank



2 options of filter:  
3M or Everpure



Extendable faucet height

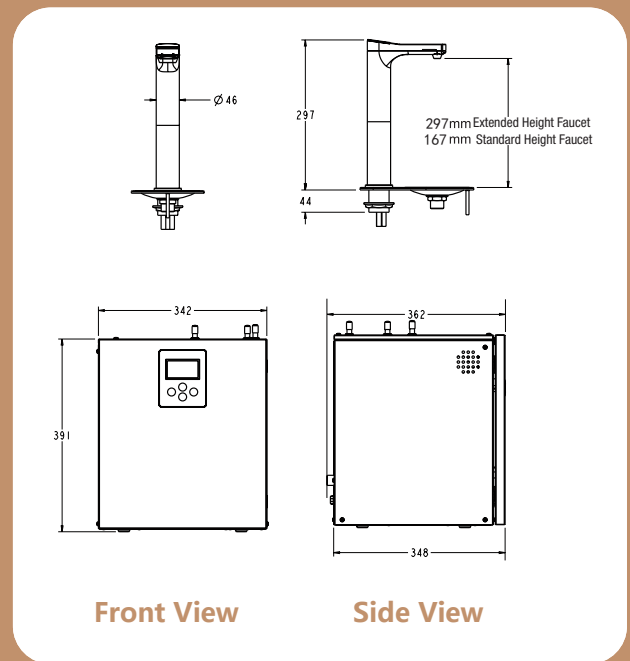
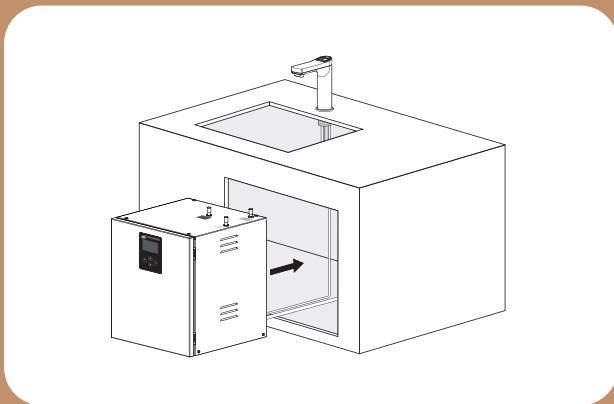


Easy-touch faucet panel



Initial water filtering is highly recommended before using the equipment.

### Installing the Tank Unit



Front View

Side View

Model	FM-5
Voltage	230V
Watts	1800W
Amps	7.8A
Extended Height Faucet	46 mm*46 mm*297 mm
Standard Height Faucet	46 mm*46 mm*167 mm
Under-Counter Main Unit	332mm*347 mm*391 mm

HATCO CORPORATION  
P.O. Box 340500 Milwaukee, WI 53234-0500 U.S.A  
Tel: (414) 671- 6350  
Fax: (414) 671- 3976  
Website: [www.hatcocorp.com](http://www.hatcocorp.com)  
E-mail: [intlsales@hatcocorp.com](mailto:intlsales@hatcocorp.com)

