



DECORATIVE HEAT LAMPS

# CHOICES

THROUGH CUSTOMERIZATION



*Unique Needs, Exact Solutions.*



# EXPERIENCE FUNCTION & FASHION

IN A WHOLE NEW LIGHT



## DECORATIVE HEAT LAMPS/ LUMINAIRES

Now you can have the two-fold benefits of foodwarming and attractive presentation with Hatco Decorative Heat Lamps. Versatile enough for any location, from pick-up station to buffet lines, the range of lights are available with a selection of personalizing choices – shade styles, colors, switch locations and mounting arrangements. Configurations for lighting (Luminaire) as well as foodwarming.



- Decorative Heat Lamps available in eight shade styles
- Eight different mounting arrangements
- Four power switch options:
  - Upper (on canopy)
  - Lower (at stem)
  - Remote
  - None

800.558.0607  
www.hatcocorp.com



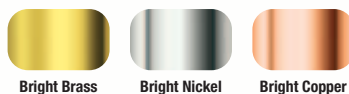
**DESIGNER COLORS**



**GLOSS FINISHES**



**POLISHED FINISHES**



There's no need to choose between aesthetics and function when it comes to equipping your location with Hatco Decorative Lamps. You'll find these trendy display lights are designed to serve you two different ways: To hold food warm in serving areas, or to stylishly complement your décor in lighting applications. One cost-effective product, two flexible functions. The choice is yours.



Now you can develop your own Hatco Decorative Heat Lamp solutions with our online lamp configurator. Just visit [www.hatcocorp.com](http://www.hatcocorp.com) and click on "Decorative Heat Lamps" to get started.

Various cord lengths available, starting at 17" (432 mm) to desired length; Rigid Stem Mounts range from 17" to 71" (432-1803 mm).

Optional cord in black or white, or rigid stem.

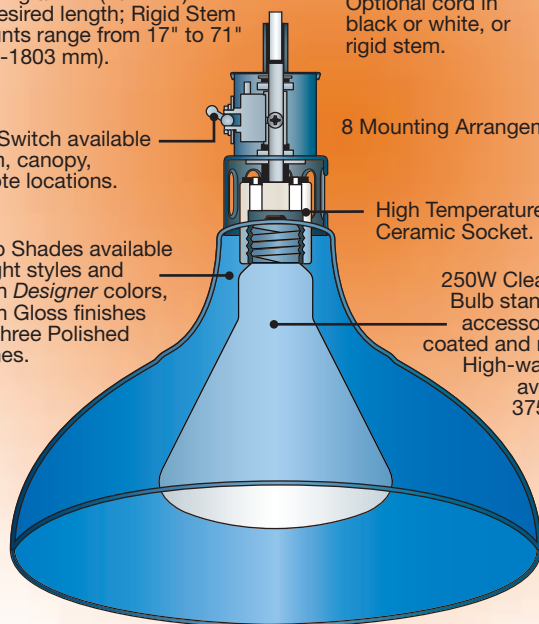
Toggle Switch available on stem, canopy, or remote locations.

8 Mounting Arrangements.

Lamp Shades available in eight styles and seven Designer colors, seven Gloss finishes and three Polished finishes.

High Temperature Ceramic Socket.

250W Clear Infrared Bulb standard, and accessory Teflon® coated and red bulbs. High-watt models available for 375W bulbs.

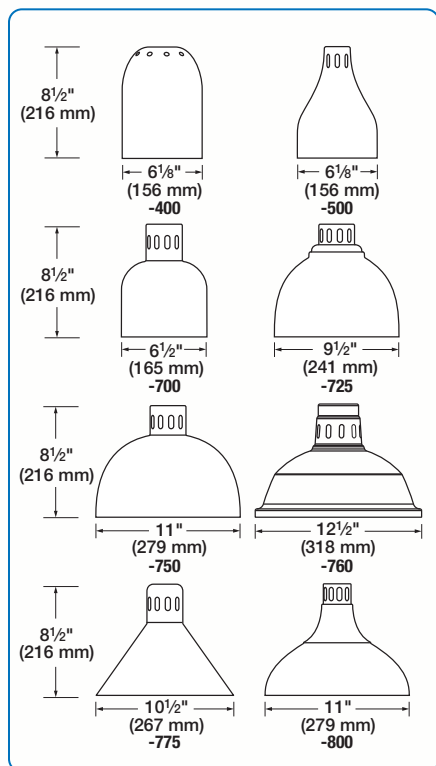


Unique Needs, Exact Solutions.

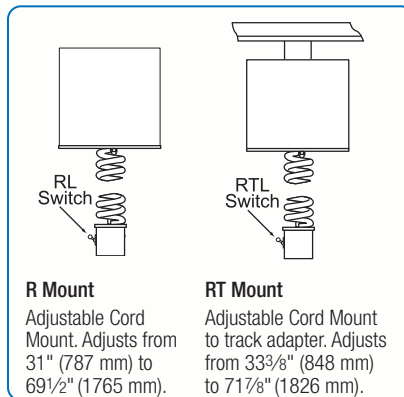
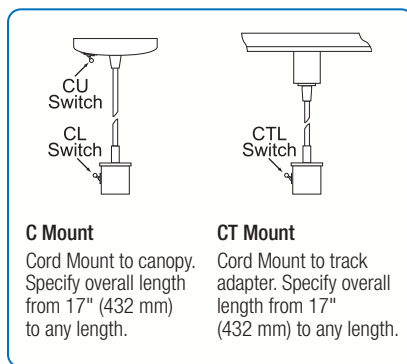


# SPECIFICATIONS

## SHADE STYLES

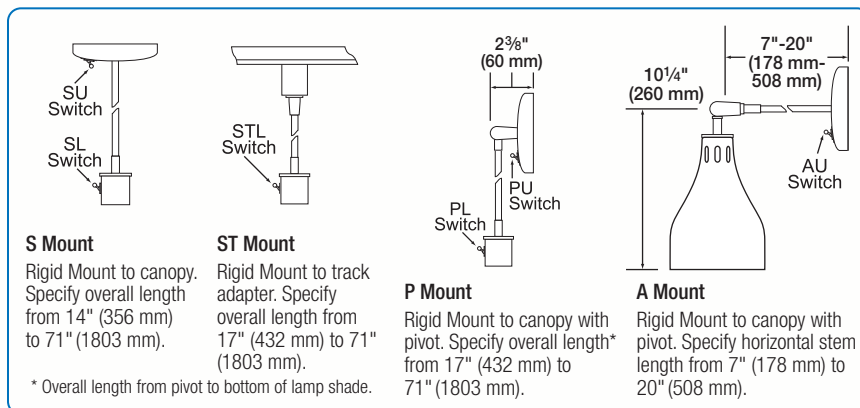


## MOUNTING STYLES



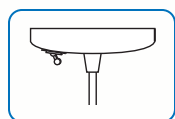
### Cord Mounted

### Adjustable Cord Mounted

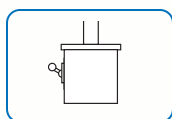


### Rigid Stem Mounted (Knock down shipping on S and P units)

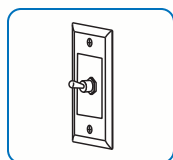
## SWITCH LOCATIONS



Upper Switch



Lower Switch

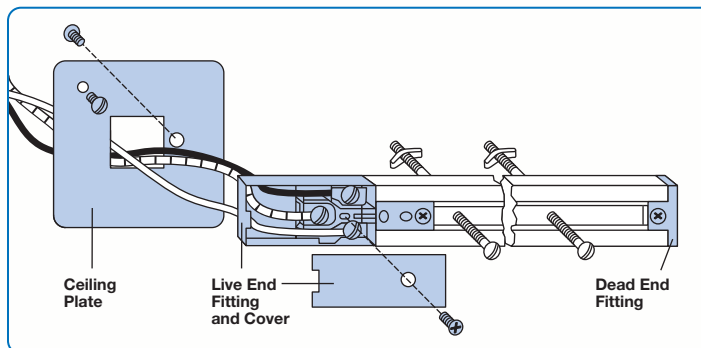


Remote Switch  
(Accommodates 10 amps)

- U – Upper ▽~
- L – Lower ▽▾
- R – Remote ♦
- N – None (supplied by installer)

- ▽ Not available on high watt models.
- ~ Not available on track mounts or R mounting style.
- ▾ Not available on A mounting style.
- ♦ Up to four 250W lamps, or two 375W lamps maximum per remote switch.

## TRACK INSTALLATION AND MODIFICATION KIT - Highlighted Components (For Cutting Track Length into Multiple Sections)



### "Customize" Your Hatco Decorative Heat Lamps Even Further:

- **Luminaire option** for lighting only applications. 200W bulb maximum (not included).
- **High-watt models** available when extra heat is needed – 50% more wattage than the competition!
- Mix and match **eight lampshade styles** with any of **eight mounting options**.
- **Bulb choices** include: uncoated or coated, clear or red, 250W (DL models) or 375W (DLH models).

### Unique Needs, Exact Solutions.

At Hatco we look, listen, and bring our full experience to your operation. "Customerization" is our brand promise...providing you with foodservice innovations that build your profits. That's Hatco, and that's always good for business. **Contact us today for all of your foodservice equipment needs.**



Nothing less than the best.™

P.O. Box 340500  
Milwaukee, WI 53234-0500 U.S.A.  
(800) 558-0607 (414) 671-6350  
www.hatcocorp.com  
E-mail: equipsales@hatcocorp.com

Printed in U.S.A.

Cover photo compliments of CSC Worldwide.



Form No. HDLB-1108 WW-SG  
November 2008