



Project \_\_\_\_\_

Item # \_\_\_\_\_

Quantity \_\_\_\_\_

# Hot/Cold Shelves Built-In Flush Top

Models:

HCSBF-24-F, -24-I, -24-S, -36-F, -36-I, -36-S, -48-F, -48-I, -48-S\*

HCSBFR-24-F, -24-I, -24-S, -36-F, -36-I, -36-S, -48-F, -48-I, -48-S

HCSBFX-24-F, -24-I, -24-S, -36-F, -36-I, -36-S, -48-F, -48-I, -48-S

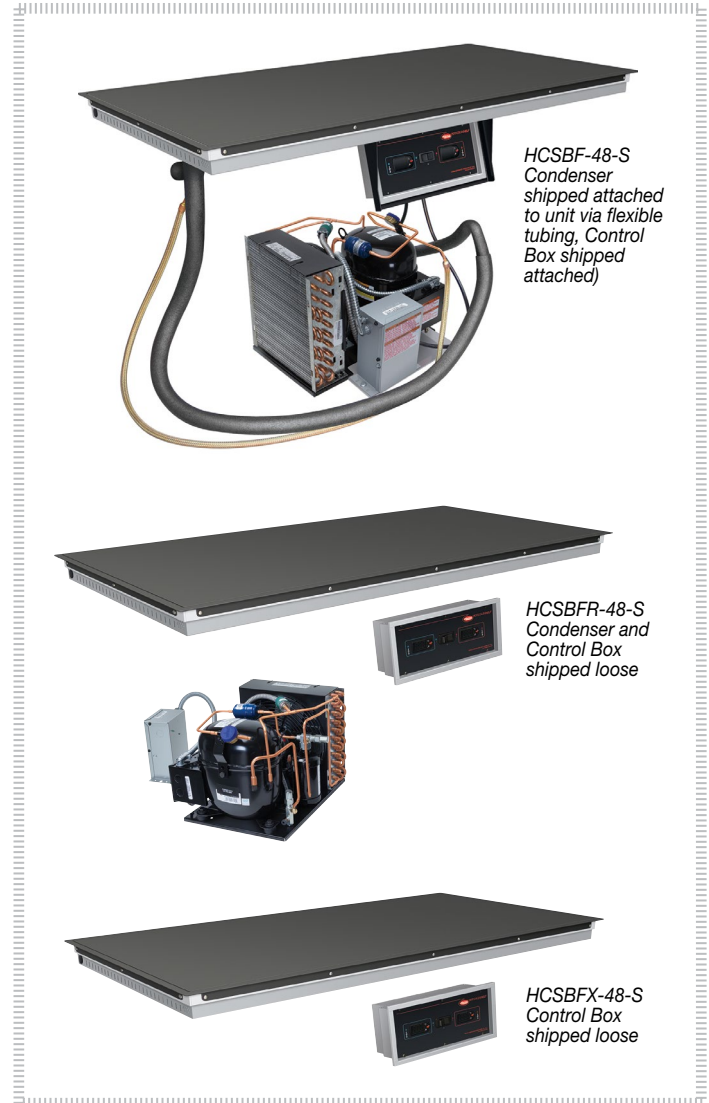
Give your operation ultimate flexibility with Hatco's innovative, patented Hot/Cold Shelves Built-In Flush Top. Available in our signature Hardcoat, they easily transition between a heated to cold and cold to heated shelf!

The HCSBFR, HCSBFX Remote (R or X) models have the added benefit of offering design flexibility for fabricators.

## Standard features

- The shelves change modes from hot to cold or vice versa in as little as 30 minutes, allowing quick change for different day parts
- HCSBF units have unattached Condenser, attached Control Box  
HCSBFR units have unattached Condenser and Control Box  
HCSBFX units have no Condenser (condenser supplied by others) and unattached Control Box
- HCSSBF(R) condensers utilize R-513A refrigerant  
HCSSBFX models allow shelves to be cooled with other refrigerants
- With HCSBF models, condensing unit may be mounted up to 4' (1219 mm) away from the center of shelf
- Condensing unit features easy serviceability with sight glass, service valves, dryer/filter and receiver (HCSBF, HCSBFR models only)
- HCSBF models offer a long, flexible, refrigerant line which allows condensing unit to be pulled out for service
- Patented thermal break reduces condensation and temperature transfer on adjacent surfaces
- All units have an Electronic Temperature Control Box with a 4' (1219 mm) lead wire (Standard)
- Control Box can be mounted 4' (1219 mm) from center of the shelf (HCSBF models only)
- All models are hardcoat aluminum, top mount units
- All shelves match the GRSBF Heated Built-In Shelves for an integrated look
- Models shipped with shelf assembly with temperature probe, assembled TXV valve (shipped loose on HCSBFR, HCSBFX models), control box (shipped loose on HCSBFR, HCSBFX models), liquid line solenoid valve attached to shelf (HCSBFX models only) and HCSBF, HCSBFR models include condensing unit (HCSBF shipped attached, HCSBFR shipped loose)
- All models not available with CE Mark

\* HCSBF models available in Domestic, Canadian and Export USD Price Lists only.



## Options (available at time of purchase only)

- Additional four year parts only warranty on the compressor available at time of purchase (U.S. and Canada only)
- Longer cord - allows Control Box to be located 7.5' (2286 mm) from unit - 4' (1219 mm) Standard (HCSBF Export models only)
- Longer conduit - allows Condenser to be located 7.5' (2286 mm) from unit - 4' (1219 mm) Standard (HCSBF Export models only)

HCSBF models only:



For operation, location and safety information, please refer to the Installation and Operating Manual.

**HATCO CORPORATION** | P.O. Box 340500 Milwaukee, WI 53234-0500 U.S.A. | (800) 558-0607 | (414) 671-6350

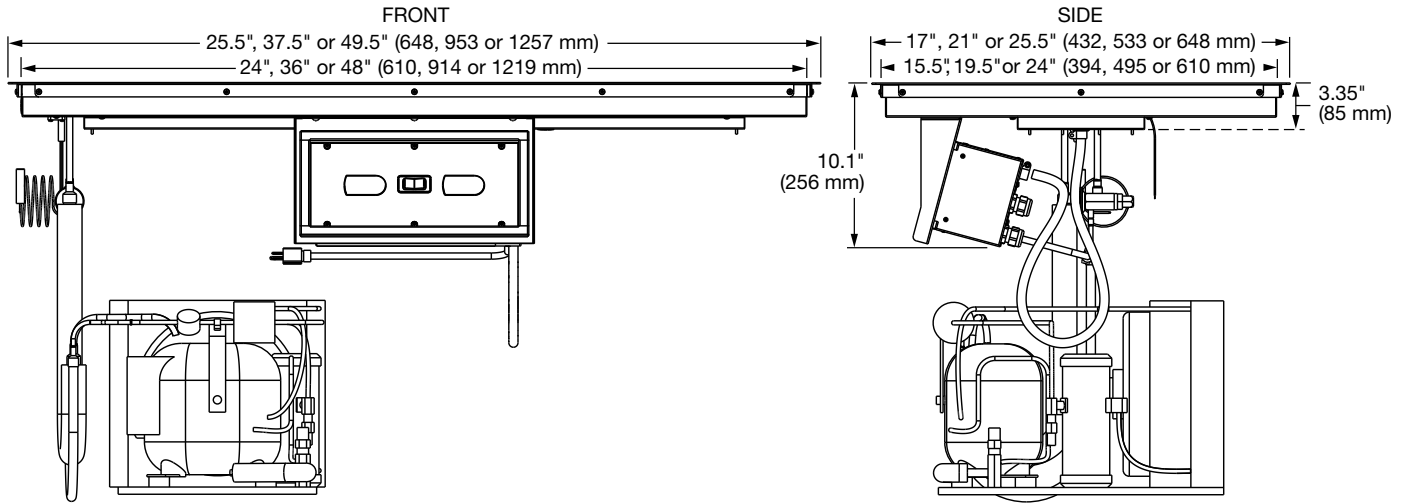
[www.hatcocorp.com](http://www.hatcocorp.com) | [support@hatcocorp.com](mailto:support@hatcocorp.com) | [Find a Hatco Rep](#) | [Image Library](#) | [Document Library](#) | [Chat](#)



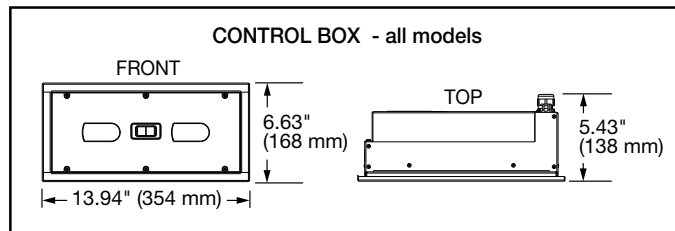
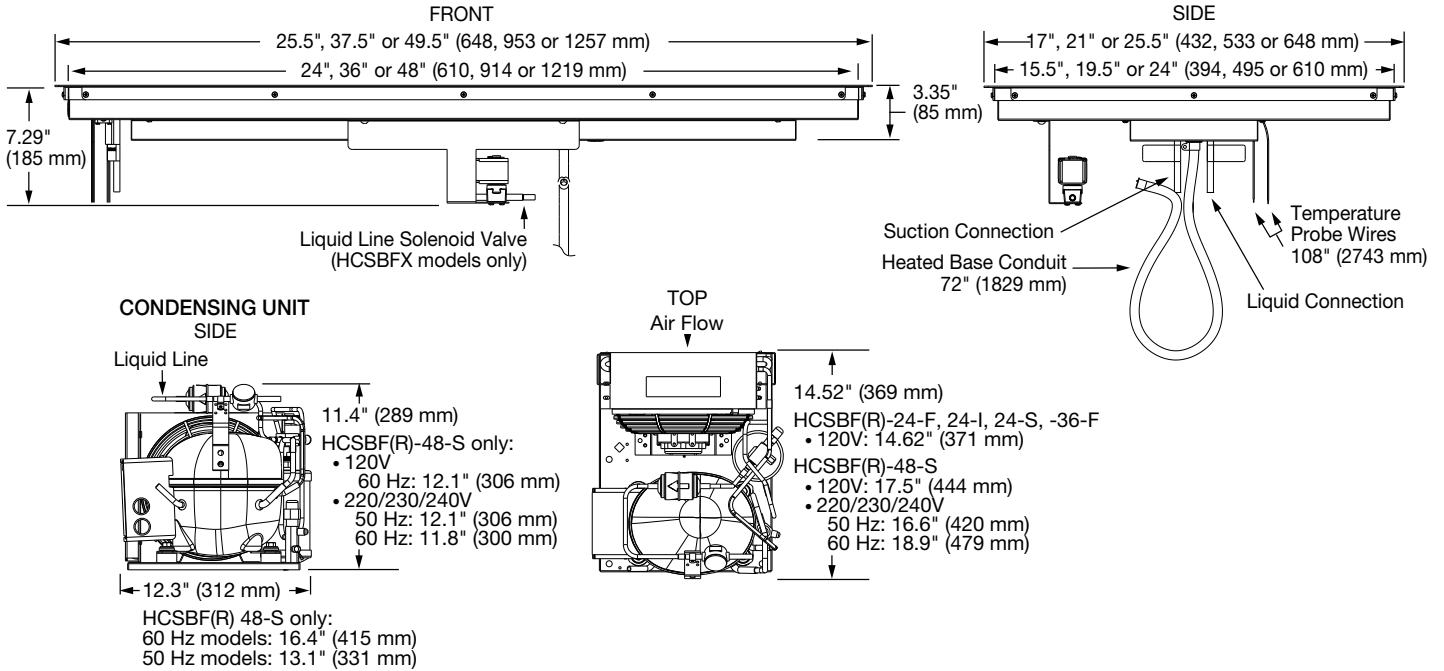
# Hot/Cold Shelves Built-In Flush Top

Models: HCSBF-24-F, -24-I, -24-S, -36-F, -36-I, -36-S, -48-F, -48-I, -48-S\*  
 HCSBFR-24-F, -24-I, -24-S, -36-F, -36-I, -36-S, -48-F, -48-I, -48-S  
 HCSBFX-24-F, -24-I, -24-S, -36-F, -36-I, -36-S, -48-F, -48-I, -48-S

## HCSBF\*



## HCSBFR, HCSBFX



\*HCSBF models available in Domestic, Canadian and Export USD Price Lists only.

**HATCO CORPORATION** | P.O. Box 340500 Milwaukee, WI 53234-0500 U.S.A. | (800) 558-0607 | (414) 671-6350

[www.hatcocorp.com](http://www.hatcocorp.com) | [support@hatcocorp.com](mailto:support@hatcocorp.com) | [Find a Hatco Rep](#) | [Image Library](#) | [Document Library](#) | [Chat](#)



# Hot/Cold Shelves Built-In Flush Top

Models: HCSBF-24-F, -24-I, -24-S, -36-F, -36-I, -36-S, -48-F, -48-I, -48-S\*  
 HCSBFR-24-F, -24-I, -24-S, -36-F, -36-I, -36-S, -48-F, -48-I, -48-S  
 HCSBFX-24-F, -24-I, -24-S, -36-F, -36-I, -36-S, -48-F, -48-I, -48-S

## SPECIFICATIONS

### Hot/Cold Shelves - Built-In Flush Top

The shaded areas contain electrical information for international models

| Model *    | Overall Dimensions<br>W x D x H                | Usable Shelf Space<br>W x D of heated/cooled surface | Comp. Size<br>HP | Volts* | Cold Side<br>Watts | Hot Side<br>Watts | Amps | Hz | Plug                               | Approximate<br>Ship Weight |
|------------|--|--|------------------|--------|--------------------|-------------------|------|----|------------------------------------|----------------------------|
| HCSBF-24-F | 25.5" x 17" x 10.1"<br>(648 x 432 x 256 mm)    | 24" x 15.5"<br>(610 x 394 mm)                        | 1/5              | 120    | 300                | 355               | 3.8  | 60 | NEMA 5-15P                         | 119 lbs.<br>(54 kg)        |
|            |  |  |                  | 220    | 1089               | 325               | 5.0  | 50 | CEE 7-7 Schuko,<br>BS-1363, AS3112 |                            |
|            |  |  | 1/3              | 230    | 1190               | 355               | 5.2  |    |                                    |                            |
|            |  |  |                  | 240    | 1295               | 387               | 5.4  |    |                                    |                            |
|            |  |  |                  | 220    | 1129               | 325               | 5.1  |    |                                    |                            |
|            |  |  |                  | 230    | 1234               | 355               | 5.4  |    |                                    |                            |
| 240        | 1344   | 387  | 5.6              |        |                    |                   |      |    |                                    |                            |
| HCSBF-24-I | 25.5" x 21" x 10.1"<br>(648 x 533 x 256 mm)    | 24" x 19.5"<br>(610 x 495 mm)                        | 1/5              | 120    | 300                | 445               | 3.8  | 60 | NEMA 5-15P                         | 126 lbs.<br>(57 kg)        |
|            |  |  |                  | 220    | 1089               | 407               | 5.0  | 50 | CEE 7-7 Schuko,<br>BS-1363, AS3112 |                            |
|            |  |  | 1/3              | 230    | 1190               | 445               | 5.2  |    |                                    |                            |
|            |  |  |                  | 240    | 1295               | 485               | 5.4  |    |                                    |                            |
|            |  |  |                  | 220    | 1129               | 407               | 5.1  |    |                                    |                            |
|            |  |  |                  | 230    | 1234               | 445               | 5.4  |    |                                    |                            |
| 240        | 1344   | 485  | 5.6              |        |                    |                   |      |    |                                    |                            |
| HCSBF-24-S | 25.5" x 25.5" x 10.1"<br>(648 x 648 x 256 mm)  | 24" x 24"<br>(610 x 610 mm)                          | 1/5              | 120    | 300                | 550               | 4.6  | 60 | NEMA 5-15P                         | 140 lbs.<br>(64 kg)        |
|            |  |  |                  | 220    | 1089               | 503               | 5.0  | 50 | CEE 7-7 Schuko,<br>BS-1363, AS3112 |                            |
|            |  |  | 1/3              | 230    | 1190               | 550               | 5.2  |    |                                    |                            |
|            |  |  |                  | 240    | 1295               | 599               | 5.4  |    |                                    |                            |
|            |  |  |                  | 220    | 1129               | 503               | 5.1  |    |                                    |                            |
|            |  |  |                  | 230    | 1234               | 550               | 5.4  |    |                                    |                            |
| 240        | 1344   | 599  | 5.6              |        |                    |                   |      |    |                                    |                            |
| HCSBF-36-F | 37.5" x 17" x 10.1"<br>(953 x 432 x 256 mm)    | 36" x 15.5"<br>(914 x 394 mm)                        | 1/5              | 120    | 300                | 530               | 4.4  | 60 | NEMA 5-15P                         | 155 lbs.<br>(70 kg)        |
|            |  |  |                  | 220    | 1089               | 485               | 5.0  | 50 | CEE 7-7 Schuko,<br>BS-1363, AS3112 |                            |
|            |  |  | 1/3              | 230    | 1190               | 530               | 5.2  |    |                                    |                            |
|            |  |  |                  | 240    | 1295               | 577               | 5.4  |    |                                    |                            |
|            |  |  |                  | 220    | 1129               | 485               | 5.1  |    |                                    |                            |
|            |  |  |                  | 230    | 1234               | 530               | 5.4  |    |                                    |                            |
| 240        | 1344   | 577  | 5.6              |        |                    |                   |      |    |                                    |                            |
| HCSBF-36-I | 37.5" x 21" x 10.1"<br>(953 x 533 x 256 mm)    | 36" x 19.5"<br>(914 x 495 mm)                        | 1/3              | 120    | 450                | 670               | 5.9  | 60 | NEMA 5-15P                         | 159 lbs.<br>(72 kg)        |
|            |  |  |                  | 220    | 826                | 613               | 3.8  | 50 | CEE 7-7 Schuko,<br>BS-1363, AS3112 |                            |
|            |  |  | 3/8              | 230    | 904                | 670               | 3.9  |    |                                    |                            |
|            |  |  |                  | 240    | 984                | 730               | 4.1  |    |                                    |                            |
|            |  |  |                  | 220    | 1129               | 613               | 5.1  |    |                                    |                            |
|            |  |  |                  | 230    | 1234               | 670               | 5.4  |    |                                    |                            |
| 240        | 1344   | 730  | 5.6              |        |                    |                   |      |    |                                    |                            |
| HCSBF-36-S | 37.5" x 25.5" x 10.1"<br>(953 x 648 x 256 mm)  | 36" x 24"<br>(914 x 610 mm)                          | 1/3              | 120    | 450                | 825               | 6.9  | 60 | NEMA 5-15P                         | 164 lbs.<br>(74 kg)        |
|            |  |  |                  | 220    | 826                | 755               | 3.8  | 50 | CEE 7-7 Schuko,<br>BS-1363, AS3112 |                            |
|            |  |  | 3/8              | 230    | 904                | 825               | 3.9  |    |                                    |                            |
|            |  |  |                  | 240    | 984                | 898               | 4.1  |    |                                    |                            |
|            |  |  |                  | 220    | 1129               | 755               | 5.1  |    |                                    |                            |
|            |  |  |                  | 230    | 1234               | 825               | 5.4  |    |                                    |                            |
| 240        | 1344   | 898  | 5.6              |        |                    |                   |      |    |                                    |                            |
| HCSBF-48-F | 49.5" x 17" x 10.1"<br>(1257 x 432 x 256 mm)   | 48" x 15.5"<br>(1219 x 394 mm)                       | 1/3              | 120    | 450                | 710               | 5.9  | 60 | NEMA 5-15P                         | 161 lbs.<br>(74 kg)        |
|            |  |  |                  | 220    | 826                | 650               | 3.8  | 50 | CEE 7-7 Schuko,<br>BS-1363, AS3112 |                            |
|            |  |  | 3/8              | 230    | 904                | 710               | 3.9  |    |                                    |                            |
|            |  |  |                  | 240    | 984                | 773               | 4.1  |    |                                    |                            |
|            |  |  |                  | 220    | 1129               | 650               | 5.1  |    |                                    |                            |
|            |  |  |                  | 230    | 1234               | 710               | 5.4  |    |                                    |                            |
| 240        | 1344   | 773  | 5.6              |        |                    |                   |      |    |                                    |                            |
| HCSBF-48-I | 49.5" x 21" x 10.1"<br>(1257 x 533 x 256 mm)   | 48" x 19.5"<br>(1219 x 495 mm)                       | 1/3              | 120    | 450                | 890               | 7.4  | 60 | NEMA 5-15P                         | 172 lbs.<br>(78 kg)        |
|            |  |  |                  | 220    | 826                | 814               | 3.8  | 50 | CEE 7-7 Schuko,<br>BS-1363, AS3112 |                            |
|            |  |  | 3/8              | 230    | 904                | 890               | 3.9  |    |                                    |                            |
|            |  |  |                  | 240    | 984                | 969               | 4.1  |    |                                    |                            |
|            |  |  |                  | 220    | 1129               | 814               | 5.1  |    |                                    |                            |
|            |  |  |                  | 230    | 1234               | 890               | 5.4  |    |                                    |                            |
| 240        | 1344   | 969  | 5.6              |        |                    |                   |      |    |                                    |                            |
| HCSBF-48-S | 49.5" x 25.5" x 10.1"<br>(1257 x 648 x 256 mm) | 48" x 24"<br>(1219 x 610 mm)                         | 5/8              | 120    | 800                | 1100              | 9.2  | 60 | NEMA 5-15P                         | 204 lbs.<br>(93 kg)        |
|            |  |  |                  | 220    | 826                | 1006              | 4.6  | 50 | CEE 7-7 Schuko,<br>BS-1363, AS3112 |                            |
|            |  |  | 1/2              | 230    | 904                | 1100              | 4.8  |    |                                    |                            |
|            |  |  |                  | 240    | 984                | 1198              | 5.0  |    |                                    |                            |
|            |  |  |                  | 220    | 1956               | 1006              | 8.9  |    |                                    |                            |
|            |  |  |                  | 230    | 2138               | 1100              | 9.3  |    |                                    |                            |
| 240        | 2328   | 1198   | 9.7              |        |                    |                   |      |    |                                    |                            |

\* Available in Domestic, Canadian, Export USD Price Lists only

\* All voltages non-CE

HATCO CORPORATION | P.O. Box 340500 Milwaukee, WI 53234-0500 U.S.A. | (800) 558-0607 | (414) 671-6350



[www.hatcocorp.com](http://www.hatcocorp.com) | [support@hatcocorp.com](mailto:support@hatcocorp.com) | [Find a Hatco Rep](#) | [Image Library](#) | [Document Library](#) | [Chat](#)



# Hot/Cold Shelves Built-In Flush Top

Models: HCSBF-24-F, -24-I, -24-S, -36-F, -36-I, -36-S, -48-F, -48-I, -48-S\*  
 HCSBFR-24-F, -24-I, -24-S, -36-F, -36-I, -36-S, -48-F, -48-I, -48-S  
 HCSBFX-24-F, -24-I, -24-S, -36-F, -36-I, -36-S, -48-F, -48-I, -48-S

## SPECIFICATIONS

Hot/Cold Shelves Built-In Flush Top - Remote - R  
 with unattached Condenser and Control Box

The shaded areas contain electrical information for international models

| Model       | Overall Shelf Dimensions<br>W x D x H          | Usable Shelf Space<br>W x D of heated/cooled surface | Comp. Size<br>HP | Volts* | Cold Side<br>Watts | Hot Side<br>Watts | Amps | Hz | Approximate<br>Ship Weight |
|-------------|--|--|------------------|--------|--------------------|-------------------|------|----|----------------------------|
| HCSBFR-24-F | 25.5" x 17" x 7.29"<br>(648 x 432 x 185 mm)    | 24" x 15.5"<br>(610 x 394 mm)                        | 1/5              | 120    | 300                | 355               | 3.8  | 60 | 111 lbs.<br>(51 kg)        |
|             |  |  | 1/3              | 220    | 1089               | 325               | 5.0  | 50 |                            |
|             |  |  |                  | 230    | 1190               | 355               | 5.2  |    |                            |
|             |  |  |                  | 240    | 1296               | 387               | 5.4  |    |                            |
|             |  |  |                  | 220    | 1129               | 325               | 5.1  |    |                            |
|             |  |  | 230              | 1234   | 355                | 5.4               | 60   |    |                            |
| 240         | 1344   | 387  | 5.6              |        |                    |                   |      |    |                            |
| HCSBFR-24-I | 25.5" x 21" x 7.29"<br>(648 x 533 x 185 mm)    | 24" x 19.5"<br>(610 x 495 mm)                        | 1/5              | 120    | 300                | 445               | 3.8  | 60 | 118 lbs.<br>(54 kg)        |
|             |  |  | 1/3              | 220    | 1089               | 407               | 5.0  | 50 |                            |
|             |  |  |                  | 230    | 1190               | 445               | 5.2  |    |                            |
|             |  |  |                  | 240    | 1296               | 485               | 5.4  |    |                            |
|             |  |  |                  | 220    | 1129               | 407               | 5.1  |    |                            |
|             |  |  | 230              | 1234   | 445                | 5.4               | 60   |    |                            |
| 240         | 1344   | 485  | 5.6              |        |                    |                   |      |    |                            |
| HCSBFR-24-S | 25.5" x 25.5" x 7.29"<br>(648 x 648 x 185 mm)  | 24" x 24"<br>(610 x 610 mm)                          | 1/5              | 120    | 300                | 550               | 4.6  | 60 | 132 lbs.<br>(60 kg)        |
|             |  |  | 1/3              | 220    | 1089               | 503               | 5.0  | 50 |                            |
|             |  |  |                  | 230    | 1190               | 550               | 5.2  |    |                            |
|             |  |  |                  | 240    | 1296               | 599               | 5.4  |    |                            |
|             |  |  |                  | 220    | 1129               | 503               | 5.1  |    |                            |
|             |  |  | 230              | 1234   | 550                | 5.4               | 60   |    |                            |
| 240         | 1344   | 599  | 5.6              |        |                    |                   |      |    |                            |
| HCSBFR-36-F | 37.5" x 17" x 7.29"<br>(953 x 432 x 185 mm)    | 36" x 15.5"<br>(914 x 394 mm)                        | 1/5              | 120    | 300                | 530               | 4.4  | 60 | 147 lbs.<br>(67 kg)        |
|             |  |  | 1/3              | 220    | 1089               | 485               | 5.0  | 50 |                            |
|             |  |  |                  | 230    | 1190               | 530               | 5.2  |    |                            |
|             |  |  |                  | 240    | 1296               | 577               | 5.4  |    |                            |
|             |  |  |                  | 220    | 1129               | 485               | 5.1  |    |                            |
|             |  |  | 230              | 1234   | 530                | 5.4               | 60   |    |                            |
| 240         | 1344   | 577  | 5.6              |        |                    |                   |      |    |                            |
| HCSBFR-36-I | 37.5" x 21" x 7.29"<br>(953 x 533 x 185 mm)    | 36" x 19.5"<br>(914 x 495 mm)                        | 1/3              | 120    | 450                | 670               | 5.9  | 60 | 151 lbs.<br>(69 kg)        |
|             |  |  | 3/8              | 220    | 826                | 613               | 3.8  | 50 |                            |
|             |  |  |                  | 230    | 904                | 670               | 3.9  |    |                            |
|             |  |  |                  | 240    | 984                | 730               | 4.1  |    |                            |
|             |  |  | 1/3              | 220    | 1129               | 613               | 5.1  | 60 |                            |
|             |  |  |                  | 230    | 1234               | 670               | 5.4  |    |                            |
| 240         | 1344   | 730  |                  | 5.6    |                    |                   |      |    |                            |
| HCSBFR-36-S | 37.5" x 25.5" x 7.29"<br>(953 x 648 x 185 mm)  | 36" x 24"<br>(914 x 610 mm)                          | 1/3              | 120    | 450                | 825               | 6.9  | 60 | 156 lbs.<br>(71 kg)        |
|             |  |  | 3/8              | 220    | 826                | 755               | 3.8  | 50 |                            |
|             |  |  |                  | 230    | 904                | 825               | 3.9  |    |                            |
|             |  |  |                  | 240    | 984                | 898               | 4.1  |    |                            |
|             |  |  | 1/3              | 220    | 1129               | 755               | 5.1  | 60 |                            |
|             |  |  |                  | 230    | 1234               | 825               | 5.4  |    |                            |
| 240         | 1344   | 898  |                  | 5.6    |                    |                   |      |    |                            |
| HCSBFR-48-F | 49.5" x 17" x 7.29"<br>(1257 x 432 x 185 mm)   | 48" x 15.5"<br>(1219 x 394 mm)                       | 1/3              | 120    | 450                | 710               | 5.9  | 60 | 157 lbs.<br>(72 kg)        |
|             |  |  | 3/8              | 220    | 826                | 650               | 3.8  | 50 |                            |
|             |  |  |                  | 230    | 904                | 710               | 3.9  |    |                            |
|             |  |  |                  | 240    | 984                | 773               | 4.1  |    |                            |
|             |  |  | 1/3              | 220    | 1129               | 650               | 5.1  | 60 |                            |
|             |  |  |                  | 230    | 1234               | 710               | 5.4  |    |                            |
| 240         | 1344   | 773  |                  | 5.6    |                    |                   |      |    |                            |
| HCSBFR-48-I | 49.5" x 21" x 7.29"<br>(1257 x 533 x 185 mm)   | 48" x 19.5"<br>(1219 x 495 mm)                       | 1/3              | 120    | 450                | 890               | 7.4  | 60 | 164 lbs.<br>(75 kg)        |
|             |  |  | 3/8              | 220    | 826                | 814               | 3.8  | 50 |                            |
|             |  |  |                  | 230    | 904                | 890               | 3.9  |    |                            |
|             |  |  |                  | 240    | 984                | 969               | 4.1  |    |                            |
|             |  |  | 1/3              | 220    | 1129               | 814               | 5.1  | 60 |                            |
|             |  |  |                  | 230    | 1234               | 890               | 5.4  |    |                            |
| 240         | 1344   | 969  |                  | 5.6    |                    |                   |      |    |                            |
| HCSBFR-48-S | 49.5" x 25.5" x 7.29"<br>(1257 x 648 x 185 mm) | 48" x 24"<br>(1219 x 610 mm)                         | 5/8              | 120    | 800                | 1100              | 9.2  | 60 | 196 lbs.<br>(89 kg)        |
|             |  |  | 1/2              | 220    | 826                | 1006              | 4.6  | 50 |                            |
|             |  |  |                  | 230    | 904                | 1100              | 4.8  |    |                            |
|             |  |  |                  | 240    | 984                | 1198              | 5.6  |    |                            |
|             |  |  | 5/8              | 220    | 1956               | 1006              | 8.9  | 60 |                            |
|             |  |  |                  | 230    | 2138               | 1100              | 9.3  |    |                            |
| 240         | 2328   | 1198   |                  | 9.7    |                    |                   |      |    |                            |

\* Available in Domestic, Canadian, Export USD Price Lists only

\* All voltages non-CE

HATCO CORPORATION | P.O. Box 340500 Milwaukee, WI 53234-0500 U.S.A. | (800) 558-0607 | (414) 671-6350



[www.hatcocorp.com](http://www.hatcocorp.com) | [support@hatcocorp.com](mailto:support@hatcocorp.com) | [Find a Hatco Rep](#) | [Image Library](#) | [Document Library](#) | [Chat](#)



# Hot/Cold Shelves Built-In Flush Top

Models: HCSBF-24-F, -24-I, -24-S, -36-F, -36-I, -36-S, -48-F, -48-I, -48-S\*  
 HCSBFR-24-F, -24-I, -24-S, -36-F, -36-I, -36-S, -48-F, -48-I, -48-S  
 HCSBFX-24-F, -24-I, -24-S, -36-F, -36-I, -36-S, -48-F, -48-I, -48-S

## SPECIFICATIONS

Hot/Cold Shelves Built-In Flush Top - Remote - X  
 with unattached Control Box only (no Condenser)

The shaded areas contain electrical  
 information for International models

| Model       | Overall Shelf Dimensions<br>W x D x H          | Usable Space<br>W x D          | Volts* | Rated Watts | Rated Amps | Hz | Approximate<br>Ship Weight |
|-------------|--|--------------------------------|--------|-------------|------------|----|----------------------------|
| HCSBFX-24-F | 25.5" x 17" x 7.29"<br>(648 x 432 x 185 mm)    | 24" x 15.5"<br>(610 x 394 mm)  | 120    | 355         | 3.0        | 60 | 74 lbs.<br>(34 kg)         |
|             |  |                                | 220    | 325         | 1.5        | 50 |                            |
|             |  |                                | 230    | 355         | 1.5        |    |                            |
|             |  |                                | 240    | 387         | 1.6        |    |                            |
|             |  |                                | 220    | 325         | 1.5        | 60 |                            |
|             |  |                                | 230    | 355         | 1.5        |    |                            |
| 240         | 387  | 1.6                            |        |             |            |    |                            |
| HCSBFX-24-I | 25.5" x 21" x 7.29"<br>(648 x 533 x 185 mm)    | 24" x 19.5"<br>(610 x 495 mm)  | 120    | 445         | 3.7        | 60 | 84 lbs.<br>(39 kg)         |
|             |  |                                | 220    | 407         | 1.8        | 50 |                            |
|             |  |                                | 230    | 445         | 1.9        |    |                            |
|             |  |                                | 240    | 485         | 2.0        |    |                            |
|             |  |                                | 220    | 407         | 1.8        | 60 |                            |
|             |  |                                | 230    | 445         | 1.9        |    |                            |
| 240         | 485  | 2.0                            |        |             |            |    |                            |
| HCSBFX-24-S | 25.5" x 25.5" x 7.29"<br>(648 x 648 x 185 mm)  | 24" x 24"<br>(610 x 610 mm)    | 120    | 550         | 4.6        | 60 | 95 lbs.<br>(44 kg)         |
|             |  |                                | 220    | 503         | 2.3        | 50 |                            |
|             |  |                                | 230    | 550         | 2.4        |    |                            |
|             |  |                                | 240    | 599         | 2.5        |    |                            |
|             |  |                                | 220    | 503         | 2.3        | 60 |                            |
|             |  |                                | 230    | 550         | 2.4        |    |                            |
| 240         | 599  | 2.5                            |        |             |            |    |                            |
| HCSBFX-36-F | 37.5" x 17" x 7.29"<br>(953 x 432 x 185 mm)    | 36" x 15.5"<br>(914 x 394 mm)  | 120    | 530         | 4.4        | 60 | 110 lbs.<br>(50 kg)        |
|             |  |                                | 220    | 485         | 2.2        | 50 |                            |
|             |  |                                | 230    | 530         | 2.3        |    |                            |
|             |  |                                | 240    | 577         | 2.4        |    |                            |
|             |  |                                | 220    | 485         | 2.2        | 60 |                            |
|             |  |                                | 230    | 530         | 2.3        |    |                            |
| 240         | 577  | 2.4                            |        |             |            |    |                            |
| HCSBFX-36-I | 37.5" x 21" x 7.29"<br>(953 x 533 x 185 mm)    | 36" x 19.5"<br>(914 x 495 mm)  | 120    | 670         | 5.6        | 60 | 114 lbs.<br>(52 kg)        |
|             |  |                                | 220    | 613         | 2.8        | 50 |                            |
|             |  |                                | 230    | 670         | 2.9        |    |                            |
|             |  |                                | 240    | 730         | 3.0        |    |                            |
|             |  |                                | 220    | 613         | 2.8        | 60 |                            |
|             |  |                                | 230    | 670         | 2.9        |    |                            |
| 240         | 730  | 3.0                            |        |             |            |    |                            |
| HCSBFX-36-S | 37.5" x 25.5" x 7.29"<br>(953 x 648 x 185 mm)  | 36" x 24"<br>(914 x 610 mm)    | 120    | 825         | 6.9        | 60 | 119 lbs.<br>(54 kg)        |
|             |  |                                | 220    | 755         | 3.4        | 50 |                            |
|             |  |                                | 230    | 825         | 3.5        |    |                            |
|             |  |                                | 240    | 898         | 3.7        |    |                            |
|             |  |                                | 220    | 755         | 3.4        | 60 |                            |
|             |  |                                | 230    | 825         | 3.5        |    |                            |
| 240         | 898  | 3.7                            |        |             |            |    |                            |
| HCSBFX-48-F | 49.5" x 17" x 7.29"<br>(1257 x 432 x 185 mm)   | 48" x 15.5"<br>(1219 x 394 mm) | 120    | 710         | 5.9        | 60 | 120 lbs.<br>(55 kg)        |
|             |  |                                | 220    | 650         | 3.0        | 50 |                            |
|             |  |                                | 230    | 710         | 3.1        |    |                            |
|             |  |                                | 240    | 773         | 3.2        |    |                            |
|             |  |                                | 220    | 650         | 3.0        | 60 |                            |
|             |  |                                | 230    | 710         | 3.1        |    |                            |
| 240         | 773  | 3.2                            |        |             |            |    |                            |
| HCSBFX-48-I | 49.5" x 21" x 7.29"<br>(1257 x 533 x 185 mm)   | 48" x 19.5"<br>(1219 x 495 mm) | 120    | 890         | 7.4        | 60 | 127 lbs.<br>(58 kg)        |
|             |  |                                | 220    | 814         | 3.7        | 50 |                            |
|             |  |                                | 230    | 890         | 3.9        |    |                            |
|             |  |                                | 240    | 969         | 4.0        |    |                            |
|             |  |                                | 220    | 814         | 3.7        | 60 |                            |
|             |  |                                | 230    | 890         | 3.9        |    |                            |
| 240         | 969  | 4.0                            |        |             |            |    |                            |
| HCSBFX-48-S | 49.5" x 25.5" x 7.29"<br>(1257 x 648 x 185 mm) | 48" x 24"<br>(1219 x 610 mm)   | 120    | 1100        | 9.2        | 60 | 149 lbs.<br>(67 kg)        |
|             |  |                                | 220    | 1006        | 4.6        | 50 |                            |
|             |  |                                | 230    | 1100        | 4.8        |    |                            |
|             |  |                                | 240    | 1198        | 5.0        |    |                            |
|             |  |                                | 220    | 1006        | 4.6        | 60 |                            |
|             |  |                                | 230    | 1100        | 4.8        |    |                            |
| 240         | 1198   | 5.0                            |        |             |            |    |                            |

\* Available in Domestic, Canadian, Export USD Price Lists only

\* All voltages non-CE

HATCO CORPORATION

P.O. Box 340500 Milwaukee, WI 53234-0500 U.S.A.

(800) 558-0607

(414) 671-6350



[www.hatcocorp.com](http://www.hatcocorp.com)

[support@hatcocorp.com](mailto:support@hatcocorp.com)

[Find a Hatco Rep](#)

[Image Library](#)

[Document Library](#)

[Chat](#)

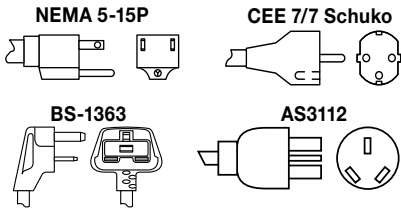




# Hot/Cold Shelves Built-In Flush Top

Models: HCSBF-24-F, -24-I, -24-S, -36-F, -36-I, -36-S, -48-F, -48-I, -48-S\*  
 HCSBFR-24-F, -24-I, -24-S, -36-F, -36-I, -36-S, -48-F, -48-I, -48-S  
 HCSBFX-24-F, -24-I, -24-S, -36-F, -36-I, -36-S, -48-F, -48-I, -48-S

## PLUG CONFIGURATION - HCSBF models only



## R-513A REFRIGERANT OPERATING SPECIFICATIONS IN 75°F (24°C) AMBIENT

Refer to the Installation section in the Installation and Operating Manual on the Hatco website

- Suction Pressure: 6-9 PSIG (0.4-0.6 Bar)
- Discharge Pressure : 115-125 PSIG (7.9-8.6 Bar)
- Superheat: 4-10° F (2.2 to 5.6°C)
- Subcooling: 5-10° F (2.8 to 5.6°C)

## FACTORY FILL RATES for R-513A REFRIGERANT (HCSBFR condensers are shipped without refrigerants)

| Model      | Fill Weight                | Model       | Fill Weight                |
|------------|----------------------------|-------------|----------------------------|
| HCSBF-24-F | 1 lb. 3 oz.<br>(0.539 kg)  | HCSBFR-24-F | 1 lb. 13 oz.<br>(0.822 kg) |
| HCSBF-24-I |                            | HCSBFR-24-I |                            |
| HCSBF-24-S | 1 lb. 5 oz.<br>(0.595 kg)  | HCSBFR-24-S | 1 lb. 15 oz.<br>(0.879 kg) |
| HCSBF-36-F | 1 lb. 5 oz.<br>(0.595 kg)  | HCSBFR-36-F | 1 lb. 15 oz.<br>(0.879 kg) |
| HCSBF-36-I |                            | HCSBFR-36-I |                            |
| HCSBF-36-S | 1 lb. 3 oz.<br>(0.539 kg)  | HCSBFR-36-S | 1 lb. 13 oz.<br>(0.822 kg) |
| HCSBF-48-F | 1 lb. 3 oz.<br>(0.539 kg)  | HCSBFR-48-F | 1 lb. 13 oz.<br>(0.822 kg) |
| HCSBF-48-I |                            | HCSBFR-48-I |                            |
| HCSBF-48-S | 1 lb. 15 oz.<br>(0.879 kg) | HCSBFR-48-S | 2 lb. 8 oz.<br>(1.134 kg)  |

## COUNTERTOP CUTOUT SIZE



See Installation and Operating Manuals for more information

| Model                                    | Width              |                     | Depth             |                    |
|--|--------------------|---------------------|-------------------|--------------------|
|  | Minimum            | Maximum             | Minimum           | Maximum            |
| HCSBF-24-F<br>HCSBFR-24-F<br>HCSBFX-24-F | 24.6"<br>(625 mm)  | 25.0"<br>(635 mm)   | 16.1"<br>(409 mm) | 16.5"<br>(419 mm)  |
| HCSBF-24-I<br>HCSBFR-24-I<br>HCSBFX-24-I | 24.6"<br>(625 mm)  | 25.0"<br>(635 mm)   | 20.1"<br>(511 mm) | 20.5"<br>(521 mm)  |
| HCSBF-24-S<br>HCSBFR-24-S<br>HCSBFX-24-S | 24.6"<br>(625 mm)  | 25.0"<br>(635 mm)   | 24.6"<br>(625 mm) | 25.0"<br>(635 mm)  |
| HCSBF-36-F<br>HCSBFR-36-F<br>HCSBFX-36-F | 36.6"<br>(930 mm)  | 37.0"<br>(940 mm)   | 16.1"<br>(409 mm) | 16.5"<br>(419 mm)  |
| HCSBF-36-I<br>HCSBFR-36-I<br>HCSBFX-36-I | 36.6"<br>(930 mm)  | 37.0"<br>(940 mm)   | 20.1"<br>(511 mm) | 20.5"<br>(521 mm)  |
| HCSBF-36-S<br>HCSBFR-36-S<br>HCSBFX-36-S | 36.6"<br>(930 mm)  | 37.0"<br>(940 mm)   | 24.6"<br>(625 mm) | 25.0"<br>(635 mm)  |
| HCSBF-48-F<br>HCSBFR-48-F<br>HCSBFX-48-F | 48.6"<br>(1234 mm) | 49.0"<br>(1245 mm)  | 16.1"<br>(409 mm) | 16.5"<br>(419 mm)  |
| HCSBF-48-I<br>HCSBFR-48-I<br>HCSBFX-48-I | 48.6"<br>(1234 mm) | 49.0"<br>(1245 mm)  | 20.1"<br>(511 mm) | 20.5"<br>(521 mm)  |
| HCSBF-48-S<br>HCSBFR-48-S<br>HCSBFX-48-S | 48.6"<br>(1234 mm) | 49.0"<br>(1245 mm)  | 24.6"<br>(625 mm) | 25.0"<br>(635 mm)  |
| <b>All Models</b>                        |                    | <b>Width</b>        |                   | <b>Height</b>      |
| <b>Control Box Cut Out Dimensions</b>    |                    | 13.125"<br>(333 mm) |                   | 5.625"<br>(143 mm) |

## PRODUCT SPECS

### Hot/Cold Shelf Built-In Flush Top

The patented Hot/Cold Built-In Shelf Flush Top shall be model ... as manufactured by the Hatco Corporation, Milwaukee, WI 53234 U.S.A.

The Hot/Cold Built-In Shelf Flush Top shall be rated at ... watts, ... volts, and ... inches (millimeters) in overall width. It shall utilize R-513A refrigerant and consist of

food-safe Hardcoat Aluminium material surface shelf assembly, condenser attached to evaporator with 5 foot (1524 mm) flexible tubing, adjustable bracket with cord and plug attached, and attached Electronic Temperature Control Box.

Warranty consists of 24/7 parts and service assistance (U.S. and Canada only).

### Hot/Cold Shelf Built-In Flush Top - Remote (R or X models)

The patented, Hot/Cold Shelf Built-In Flush Top - Remote (R or X) shall be model ... as manufactured by the Hatco Corporation, Milwaukee, WI 53234 U.S.A.

The Hot/Cold Shelf Built-In Flush Top - Remote (R or X) model shall be rated at ... watts, ... volts, and ... inches (millimeters) in overall width.

HCSBFR shall utilize R-513A refrigerant. HCSBFR and HCSBFX models shall consist of food-safe Hardcoat Aluminium material surface shelf assembly with temperature probe, unattached TXV valve, unattached Electronic Temperature Control Box, unattached Condenser (HCSBFR model only) and solenoid valve attached to shelf (HCSBFX model only).

Warranty consists of 24/7 parts and service assistance (U.S. and Canada only).

\* HCSBF models available in Domestic, Canadian and Export USD Price Lists only.

**HATCO CORPORATION** | P.O. Box 340500 Milwaukee, WI 53234-0500 U.S.A. | (800) 558-0607 | (414) 671-6350



[www.hatcocorp.com](http://www.hatcocorp.com) | [support@hatcocorp.com](mailto:support@hatcocorp.com) | [Find a Hatco Rep](#) | [Image Library](#) | [Document Library](#) | [Chat](#)