



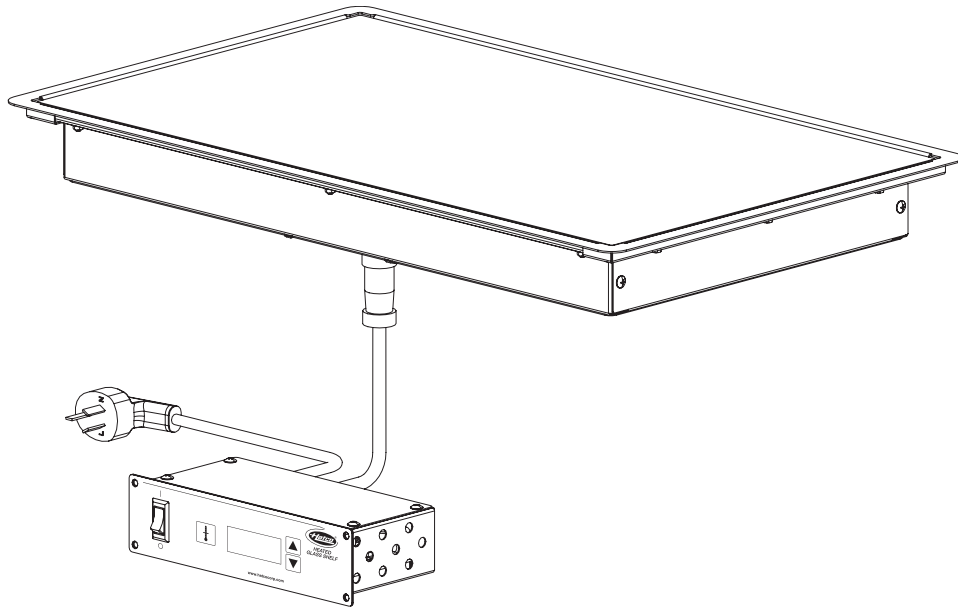
Built-In Heated Glass Shelves

嵌入式保温玻璃板

HBGBHC Series/系列

Installation and Operating Manual

安装及操作手册



⚠ WARNING

Do not operate this equipment unless you have read and understood the contents of this manual! Failure to follow the instructions contained in this manual may result in serious injury or death. This manual contains important safety information concerning the maintenance, use, and operation of this product. If you're unable to understand the contents of this manual, please bring it to the attention of your supervisor. Keep this manual in a safe location for future reference.

English = p 2

⚠ 警告

请在 真阅读并理解本手册的内容后再操作本设备！不按照本手册中的说明操作可能会导致严重的人身伤亡事故。本手册中包含了有关本产品维护、使用和操作的重要安全事项。如果您不理解本手册的内容，请将本手册交给主管人员，以提请注意。请将本手册妥善放置，以便参照。

中文 = 第 12 页

CONTENTS



Important Owner Information	2	Operation	8
Introduction	2	General.....	8
Important Safety Information	3	Changing the Setpoint Temperature.....	8
Model Description	4	Maintenance	9
Model Designation	4	General.....	9
Specifications	4	Daily Cleaning.....	9
Plug Configurations.....	4	Cleaning Sugary/Sticky Spills.....	9
Dimensions.....	5	Cleaning Burned-On Residue.....	9
Electrical Rating Chart.....	5	Cleaning Metal Marks and Scratches.....	9
Installation	6	Troubleshooting Guide	10
General.....	6	Options and Accessories	10
Installing the Control Box.....	6	International Limited Warranty	11
Countertop Cutout Chart — With Trim Ring.....	7	Service Information	11
Control Box Installation Dimensions.....	7		

IMPORTANT OWNER INFORMATION

Record the model number, serial number (specification label located on the bottom of the unit), voltage, and purchase date of the unit in the spaces below. Please have this information available when calling Hatco for service assistance.

Model No. _____

Serial No. _____

Voltage _____

Date of Purchase _____

Business Hours: 9:00 AM to 6:00 PM (Beijing Time)

Monday through Friday

Telephone: (0512) 6732-5091

E-mail: infocn@hatcocorp.com

Additional information can be found by visiting our web site at www.hatcocorp.com

INTRODUCTION

Hatco Built-In Heated Glass Shelves are designed to hold food hot safely while blending into the surrounding décor. They will keep food at proper serving temperatures without affecting quality. These units feature a thermostatically-controlled heated glass base that extends the food holding times.

Heated Glass Shelves are a product of extensive research and field testing. The materials used were selected for maximum durability, attractive appearance, and optimum performance. Every unit is inspected and tested thoroughly prior to shipment.

This manual provides the installation, safety, and operating instructions for Heated Glass Shelves. Hatco recommends all installation, operating, and safety instructions appearing in this manual be read prior to installation or operation of a unit.

Safety information that appears in this manual is identified by the following signal word panels:



WARNING indicates a hazardous situation which, if not avoided, could result in death or serious injury.



CAUTION indicates a hazardous situation which, if not avoided, could result in minor or moderate injury.



NOTICE is used to address practices not related to personal injury.

NOTE: Refer to the Symbol Identification tables on the back cover of this manual for definitions of symbols that may appear in this manual.



Read the following important safety information before using this equipment to avoid serious injury or death and to avoid damage to equipment or property.

⚠ WARNING

ELECTRIC SHOCK HAZARD:

- Plug unit into a properly grounded electrical receptacle of the correct voltage, size, and plug configuration. If plug and receptacle do not match, contact a qualified electrician to determine and install proper voltage and size electrical receptacle.
- Remote mounted control box must be mounted on a vertical wall and installed in vertical position. Mounting control box in horizontal position may result in collection of liquids and lead to an electric shock
- Turn OFF power switch, unplug power cord, and allow unit to cool before performing any cleaning, adjustments, or maintenance.
- DO NOT submerge or saturate with water. Unit is not waterproof. Do not operate if unit has been submerged or saturated with water.
- This unit is not “jet-proof” construction. Do not use jet-clean spray to clean this unit.
- Unit is not weatherproof. Locate unit indoors where ambient air temperature is a minimum of 21°C (70°F).
- Discontinue use if power cord is frayed or worn.
- Do not attempt to repair or replace a damaged power cord. The cord must be replaced by Hatco, an Authorized Hatco Service Agent, or a person with similar qualifications.
- Use only Genuine Hatco Replacement Parts when service is required. Failure to use Genuine Hatco Replacement Parts will void all warranties and may subject operators of the equipment to hazardous electrical voltage, resulting in electrical shock or burn. Genuine Hatco Replacement Parts are specified to operate safely in the environments in which they are used. Some aftermarket or generic replacement parts do not have the characteristics that will allow them to operate safely in Hatco equipment.

FIRE HAZARD: Locate unit a minimum of 25 mm (1”) from combustible walls and materials. If safe distances are not maintained, combustion or discoloration could occur.

Make sure food product has been heated to the proper food-safe temperature before placing on the unit. Failure to heat food product properly may result in serious health risks. This unit is for holding preheated food product only.

This unit has no “user-serviceable” parts. If service is required on this unit, contact an Authorized Hatco Service Agent or contact Hatco at (0512) 6732-5091.

Make sure all operators have been instructed on the safe and proper use of the unit.

This unit is not intended for use by children or persons with reduced physical, sensory, or mental capabilities. Ensure proper supervision of children and keep them away from the unit.

⚠ CAUTION

BURN HAZARD: Some exterior surfaces on unit will get hot. Use caution when touching these areas.

Locate unit at the proper counter height in an area that is convenient for use. The location should be level to prevent the unit or its contents from falling accidentally and strong enough to support the weight of the unit and contents.

Do not operate built-in models without the control box mounted properly as described in the installation instructions.

Pitting or indentation in the glass surface may occur from sugary spills. If pitting or indentation occurs, the glass surface must be replaced. To prevent further damage and possible injury from broken glass, stop using unit immediately and contact an Authorized Hatco Service Agent.

NOTICE

Damage to any countertop material caused by heat generated from Hatco equipment is not covered under the Hatco warranty. Contact the manufacturer of the countertop material for application information.

Do not modify wiring or cut thermostat capillary on control box to increase remote mounting distance. Cutting thermostat capillary will cause unit to overheat and may damage unit as well as surrounding countertop.

Do not turn on unit until it has been cleaned thoroughly. Ceramic glass surface must be clear of debris to prevent burn-on.

Do not slide pans across glass surface, use rough-bottomed pans, or drop anything on glass surface. Scratching or breakage may occur. Damage to glass surface or breakage of glass caused by misuse is not covered under warranty.

Use only wipes, pads, and cleaners designed specifically for cleaning ceramic glass surfaces. Using other wipes, pads, or cleaners may damage ceramic glass surface.

Do not install remote mounted control box in an area subject to temperatures above 29°C (85°F). Excessive temperatures will cause control(s) to overheat, malfunction, and fail.

MODEL DESCRIPTION



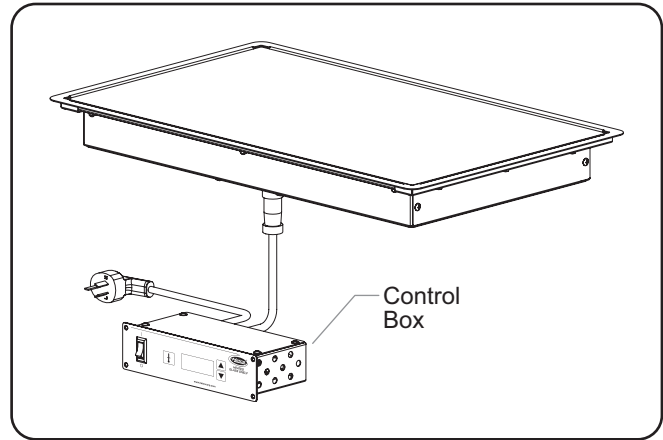
All Models

All Hatco Built-In Heated Glass Shelves are ideal for pass through areas, buffet lines, and as hors d'oeuvre displays. Food product may be placed directly on the glass surface, if desired. Standard equipment includes an illuminated Power I/O (on/off) switch, a thermostatically-controlled heated ceramic glass top, and a painted steel base.

Each Built-In Heated Black Glass shelf is equipped with an attached trim mounting ring. The unit includes a remote mounted control box with digital controls that is connected to the unit with 1829 mm (6') of conduit. A 1829 mm (6') power cord with plug connects the remote mounted control box to the power source.

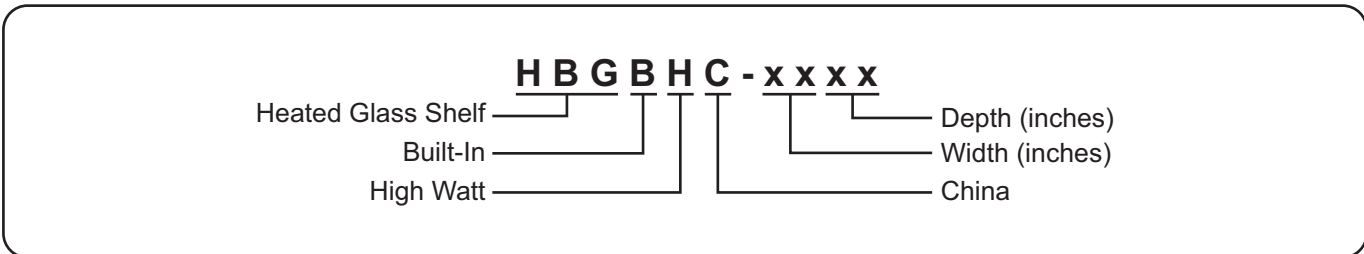
Units are available in seven models: HBGBHC-1414, HBGBHC-2414, HBGBHC-3014, HBGBHC-3614, HBGBHC-4814, HBGBHC-6014, and HBGBHC-7214.

NOTE: A "no trim ring" option is available. Refer to the OPTIONS AND ACCESSORIES section in this manual for details.



Model HBGBHC

MODEL DESIGNATION



SPECIFICATIONS

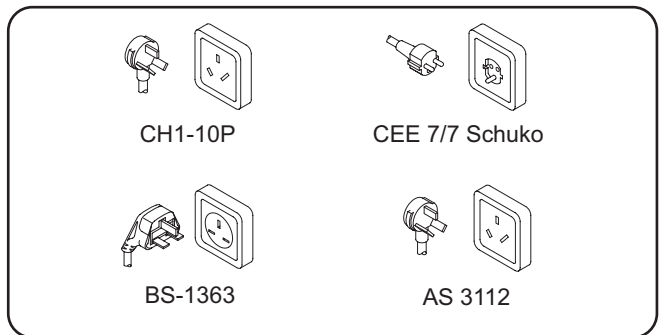
Plug Configurations

Units are supplied from the factory with an electrical cord and plug installed. Plugs are supplied according to the application.



ELECTRIC SHOCK HAZARD: Plug unit into a properly grounded electrical receptacle of the correct voltage, size, and plug configuration. If plug and receptacle do not match, contact a qualified electrician to determine and install proper voltage and size electrical receptacle.

NOTE: Receptacle not supplied by Hatco.

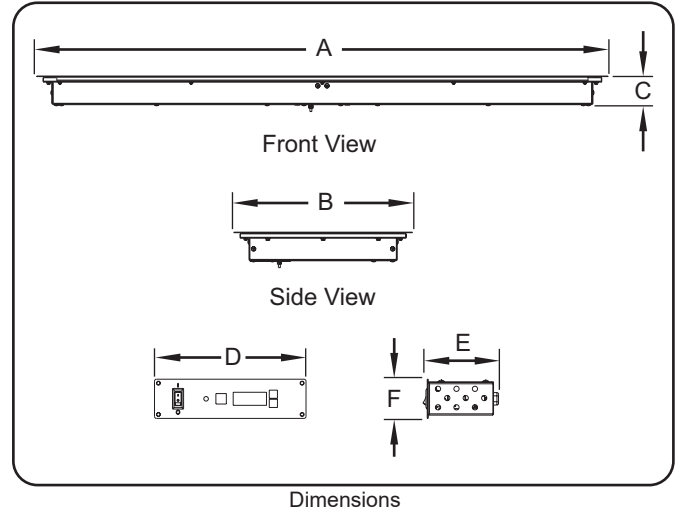


Plug Configurations

Dimensions

Model	Width (A)	Depth (B)	Height (C)
HBGBHC-1414	388 mm (15-1/4")	388 mm (15-1/4")	62 mm (2-1/2")
HBGBHC-2414	638 mm (25-1/8")	388 mm (15-1/4")	62 mm (2-1/2")
HBGBHC-3014	788 mm (31")	388 mm (15-1/4")	62 mm (2-1/2")
HBGBHC-3614	938 mm (37")	388 mm (15-1/4")	62 mm (2-1/2")
HBGBHC-4814	1241 mm (48-7/8")	388 mm (15-1/4")	62 mm (2-1/2")
HBGBHC-6014	1541 mm (60-3/4")	388 mm (15-1/4")	62 mm (2-1/2")
HBGBHC-7214	1841 mm (72-1/2")	388 mm (15-1/4")	62 mm (2-1/2")

Model	Width (D)	Depth (E)	Height (F)
Remote Box	232 mm (9-1/8")	116 mm (4-5/8")	60 mm (2-3/8")



Dimensions

NOTICE

Refer to the **INSTALLATION** section of this manual for actual countertop and remote box cutout dimensions.

Electrical Rating Chart

Model	Voltage	Watts	Amps	Plug Configuration	Shipping Weight
HBGBHC-1414	220	224	1.0	CH1-10P, BS-1363, CEE 7/7 Schuko, AS 3112	9 kg (20 lbs.)
	230	245	1.1		
	240	267	1.1		
HBGBHC-2414	220	393	1.8	CH1-10P, BS-1363, CEE 7/7 Schuko, AS 3112	12 kg (27 lbs.)
	230	430	1.9		
	240	468	2.0		
HBGBHC-3014	220	505	2.3	CH1-10P, BS-1363, CEE 7/7 Schuko, AS 3112	15 kg (32 lbs.)
	230	550	2.4		
	240	600	2.5		
HBGBHC-3614	220	613	2.8	CH1-10P, BS-1363, CEE 7/7 Schuko, AS 3112	17 kg (37 lbs.)
	230	670	2.9		
	240	730	3.0		
HBGBHC-4814	220	787	3.6	CH1-10P, BS-1363, CEE 7/7 Schuko, AS 3112	25 kg (54 lbs.)
	230	860	3.7		
	240	935	3.9		
HBGBHC-6014	220	1005	4.6	CH1-10P, BS-1363, CEE 7/7 Schuko, AS 3112	29 kg (64 lbs.)
	230	1100	4.8		
	240	1200	5.0		
HBGBHC-7214	220	1225	5.6	H1-10P, BS-1363, CEE 7/7 Schuko, AS 3112	34 kg (74 lbs.)
	230	1340	5.8		
	240	1460	6.1		

NOTE: The specification label is located on the bottom of the unit. See label for serial number and verification of unit electrical information.

NOTE: Shipping weight includes packaging.

General

Use the following procedures to install HBGBHC units.

WARNING

ELECTRIC SHOCK HAZARD: Unit is not weatherproof. Locate unit indoors where the ambient air temperature is a minimum of 21°C (70°F).

FIRE HAZARD: Locate unit a minimum of 25 mm (1") from combustible walls and materials. If safe distances are not maintained, combustion or discoloration could occur.

CAUTION

Locate unit at the proper counter height in an area that is convenient for use. The location should be level to prevent the unit or its contents from falling accidentally and strong enough to support the weight of the unit and contents.

Do not operate built-in models without the control box mounted properly as described in the installation instructions.

NOTICE

Damage to any countertop material caused by heat generated from Hatco equipment is not covered under the Hatco warranty. Contact the manufacturer of the countertop material for application information.

1. Remove unit from box.

NOTE: To prevent delay in obtaining warranty coverage, complete online warranty registration. See the IMPORTANT OWNER INFORMATION section for details.

2. Remove tape and protective packaging from all surfaces of unit.
3. Prepare the countertop opening. Refer to the "Countertop Cutout Chart" for recommended countertop cutout dimensions.
4. Prepare the remote mounted control box opening.
 - a. Refer to "Control Box Installation Dimensions" for cutout and screw hole dimensions.
 - b. Perform the cutout and pre-drill the screw holes.

NOTE: Refer to the OPTIONS AND ACCESSORIES section for installation information for models with the optional "No Trim Ring" feature.

5. Unplug the control box from the bottom of the unit.
6. Apply a bead of food safe sealant on the top edge of the countertop cutout and the underside of the trim mounting ring. The sealant must be rated for use at 121°C (250°F) or higher.
7. Install the unit into the countertop opening.
 - a. Place the unit into the countertop opening.
 - b. Remove any excess sealant around the unit.
8. Install the control box. Refer to the "Installing the Control Box" procedure in this section.
9. Plug unit into a properly grounded electrical outlet of the correct voltage, size, and plug configuration. See the SPECIFICATIONS section for details.

Installing the Control Box

Use the following procedure to install the remote mounted control box.

WARNING

ELECTRIC SHOCK HAZARD: Remote mounted control box must be mounted on a vertical wall and installed in vertical position. Mounting control box in horizontal position may result in collection of liquids and lead to an electric shock.

NOTICE

Do not modify wiring or cut thermostat capillary on control box to increase remote mounting distance. Cutting thermostat capillary will cause unit to overheat and may damage unit as well as surrounding countertop.

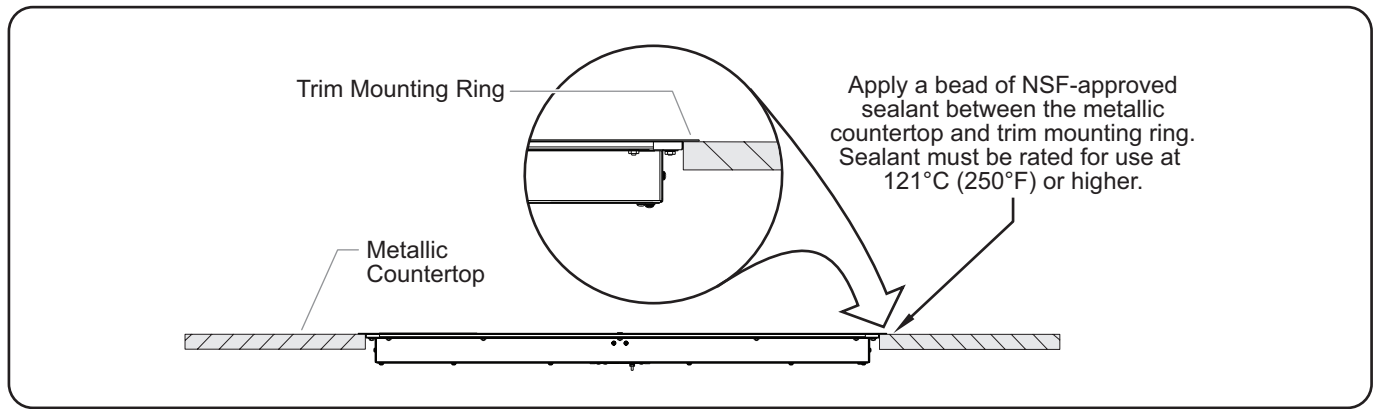
Do not install remote mounted control box in an area subject to temperatures above 29°C (85°F). Excessive temperatures will cause control(s) to overheat, malfunction, and fail.

1. With the remote box unplugged from the bottom of the unit, position the control box into the cutout opening.
 - Align the holes in the control box with the pre-drilled holes in the mounting surface.
2. Secure the control box to the mounting surface using screws (not supplied).
3. Plug the control box into the bottom of the unit.

NOTE: Units are equipped with a 1829 mm (6') flexible conduit connecting the control box to the unit.

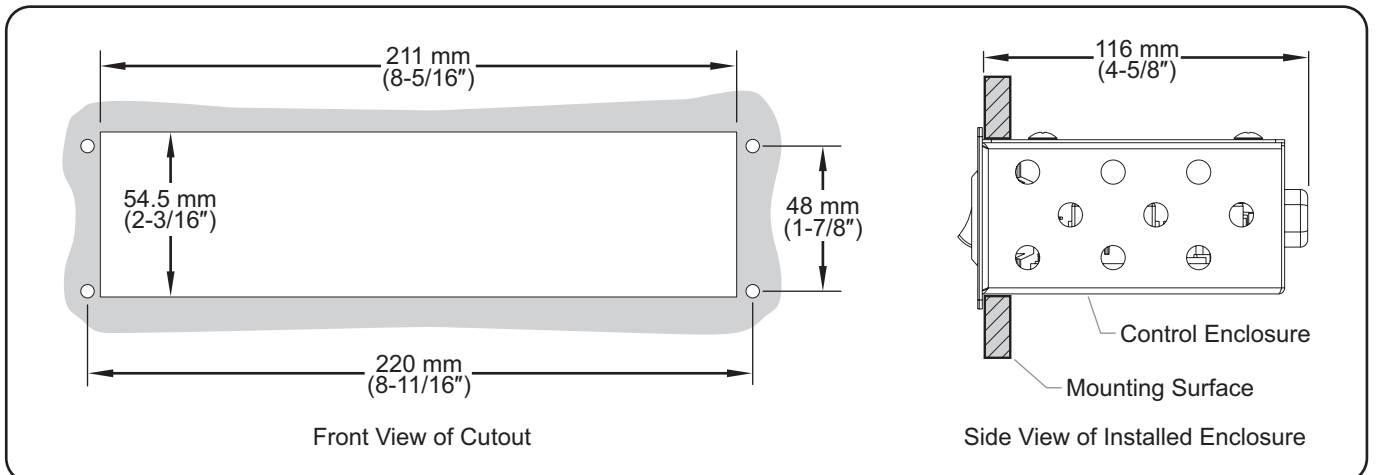
Countertop Cutout Chart — With Trim Ring

Model	Width	Depth
HBGBHC-1414	367 mm (14-1/2")	365 mm (14-3/8")
HBGBHC-2414	617 mm (24-5/16")	365 mm (14-3/8")
HBGBHC-3014	767 mm (30-1/4")	365 mm (14-3/8")
HBGBHC-3614	917 mm (36-1/8")	365 mm (14-3/8")
HBGBHC-4814	1220 mm (48-1/8")	365 mm (14-3/8")
HBGBHC-6014	1520 mm (59-7/8")	365 mm (14-3/8")
HBGBHC-7214	1820 mm (71-11/16")	365 mm (14-3/8")



HBGBHC Built-In Installation

Control Box Installation Dimensions



Control Box Installation Dimensions

IMPORTANT NOTE:

Make sure the installation location provides enough room for electrical connections to the control box.

General

Use the following procedure to turn on and operate Hatco Built-In Heated Glass Shelves.



Read all safety messages in the **IMPORTANT SAFETY INFORMATION** section before operating this equipment.



Do not turn on unit until it has been cleaned thoroughly. Ceramic glass surface must be clear of debris to prevent burn-on.

Use only wipes, pads, and cleaners designed specifically for cleaning ceramic glass surfaces. Using other wipes, pads, or cleaners may damage ceramic glass surface.

Do not slide pans across glass surface, use rough-bottomed pans, or drop anything on glass surface. Scratching or breakage may occur. Damage to glass surface or breakage of glass caused by misuse is not covered under warranty.

1. Using an appropriate cleaning wipe or a damp cloth, clean and sanitize the glass surface of the unit. Consistent daily cleaning will keep cleanup easy as well as protect and preserve the glass surface of the unit.
2. Plug unit into a properly grounded electrical receptacle of the correct voltage, size, and plug configuration. See the SPECIFICATIONS section for details.
3. Move the Power I/O (on/off) switch to the I (on) position.
 - The unit will heat up to the setpoint temperature automatically.
 - Refer to the “Changing the Setpoint Temperature” procedure to adjust the setpoint temperature.



BURN HAZARD: Some exterior surfaces on the unit will get hot. Use caution when touching these areas.

4. Allow the unit 30 minutes to reach operating temperature.

Changing the Setpoint Temperature

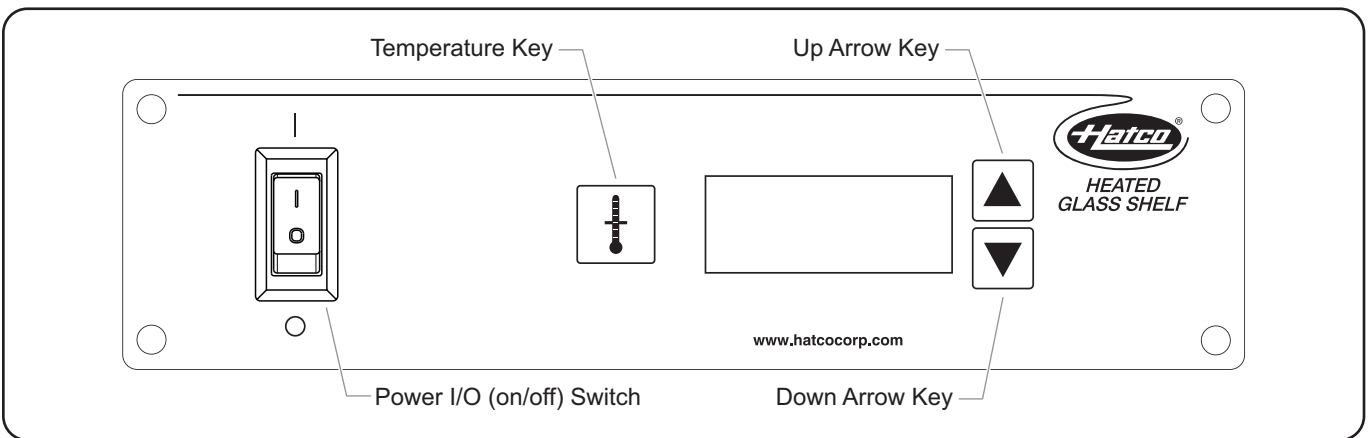
Use the following procedure to adjust the setpoint temperature.



Built-in units must not have a setpoint temperature higher than 125°C (257°F). Temperatures exceeding 125°C (257°F) will damage unit and void warranty.

NOTE: The temperature shown on the display may be inaccurate when unit temperature is below 54°C (130°F).

1. Press the key. The current setpoint temperature will be shown on the temperature display.
2. Press the key or key within 8 seconds to change the setpoint temperature.



Control Box Installation Dimensions

General

Built-In Heated Glass Shelves are designed for maximum durability and performance, with minimum maintenance.

WARNING

ELECTRIC SHOCK HAZARD:

- Turn OFF power switch, unplug power cord, and allow unit to cool before performing any cleaning, adjustments, or maintenance.
- DO NOT submerge or saturate with water. Unit is not waterproof. Do not operate if unit has been submerged or saturated with water.
- This unit is not “jet-proof” construction. Do not use jet-clean spray to clean this unit.

This unit has no “user-serviceable” parts. If service is required on this unit, contact an Authorized Hatco Service Agent or contact Hatco at (0512) 6732-5091.

NOTICE

Do not turn on unit until it has been cleaned thoroughly. Ceramic glass surface must be clear of debris to prevent burn-on.

Use only wipes, pads, and cleaners designed specifically for cleaning ceramic glass surfaces. Using other wipes, pads, or cleaners may damage ceramic glass surface.

Daily Cleaning

Consistent daily cleaning will keep cleanup easy as well as protect and preserve the glass surface. Make sure to use only wipes, pads, and cleaners designed specifically for cleaning ceramic glass surfaces.

1. Before turning on the unit each day, clean, and sanitize the glass surface using an appropriate cleaning wipe or a damp cloth.
2. At the end of each day:
 - a. Turn off the unit, unplug power cord, and allow unit to cool.
 - b. Clean and sanitize the glass surface using an appropriate cleaning wipe or damp cloth. If additional cleaning is necessary, follow the “Cleaning Burned-On Residue” procedure in this section.

Cleaning Sugary/Sticky Spills

To clean sugary/sticky spills, the unit should be warm while cleaning for easier removal.

1. Turn off the unit and unplug power cord. **CAUTION! Burn Hazard—Heated glass will be hot. Use caution when touching this area.**
2. While unit is still hot, wear an oven mitt and remove the bulk of the spill using paper towel.
3. Allow the unit to cool.
4. Follow the “Cleaning Burned-On Residue” procedure in this section to remove the remainder of the spill.
5. Do not use the unit again until the spill has been cleaned completely.

CAUTION

Pitting or indentation in the glass surface may occur from sugary spills. If pitting or indentation occurs, the glass surface must be replaced. To prevent further damage and possible injury from broken glass, stop using unit immediately and contact an Authorized Hatco Service Agent.

Cleaning Burned-On Residue

To clean burned-on residue, the use of ceramic glass cleaner may be necessary.

1. Turn off the unit, unplug power cord, and allow unit to cool.
2. Spread a few drops of ceramic glass cleaner onto the residue area.
3. Using an appropriate cleaning wipe, rub the residue area while applying pressure as needed.
4. If residue remains, repeat the steps above as needed.
5. After all residue has been removed, polish the entire glass surface using the ceramic glass cleaner and paper towel.

Cleaning Metal Marks and Scratches

Metal marks and scratches from pans usually can be removed. Be careful when placing pans onto the glass surface. To avoid metal marks and scratches, do not slide pans across the glass surface.

1. Turn off the unit, unplug power cord, and allow unit to cool.
2. Spread a few drops of ceramic glass cleaner onto the marked area.
3. Using an appropriate cleaning wipe, rub the marked area while applying pressure as needed.
4. If metal marks and scratches remain, repeat the steps above as needed.

NOTE: Check the bottom of all pans for roughness that could scratch the glass surface.

NOTE: Damage caused by sugary/sticky spills or rough pan bottoms is not covered under warranty.



This unit must be serviced by qualified personnel only. Service by unqualified personnel may lead to electric shock or burn.



ELECTRIC SHOCK HAZARD: Turn OFF power switch, unplug power cord, and allow unit to cool before performing any cleaning, adjustments, or maintenance.

Symptom	Probable Cause	Corrective Action
Unit too hot.	Setpoint temperature set too high.	Adjust setpoint temperature to a lower setting.
	Unit plugged into an incorrect power supply.	Verify with qualified personnel that power supply matches unit specification.
Unit not hot enough.	Setpoint temperature set too low.	Adjust setpoint temperature to a higher setting.
	Location of unit is susceptible to air currents (air conditioning ducts or exhaust fans).	Block air currents or relocate unit.
Unit not working at all.	Unit not plugged in.	Plug unit into proper power supply.
	Unit not turned on.	Move the Power I/O (on/off) switch to the I (on) position.
	Power I/O (on/off) switch is not functioning.	Contact Authorized Service Agent or Hatco for assistance.
	Heating element is burned out.	
	Remote mounted control is defective.	

Troubleshooting Questions?

If you continue to have problems resolving an issue, please contact the nearest Authorized Hatco Service Agency or Hatco for assistance. To locate the nearest Service Agency, log onto the Hatco website at www.hatcocorp.com, select the *Support* pull-down menu, and click on "Find A Service Agent"; or contact the **Hatco Parts and Service Team** at:

Telephone: (0512) 6732-5091

e-mail: infocn@hatcocorp.com

OPTIONS AND ACCESSORIES

Installing HBGBHC Models w/No Trim Ring

All HBGBHC models have the option to come without a trim ring. Professional installation of units without a trim ring is required.

Use the following procedure when installing models without a trim ring:

1. Prepare the countertop opening. Refer to "Countertop Cutout Chart — No Trim Ring" for recommended countertop cutout dimensions.
2. Support the unit from the bottom with adequate supports for the weight of the unit and all components.

NOTE: The top surface of the unit should be flush with the counter or slightly recessed. If the surface is above the counter surface, the edges could become damaged from moving pans across the edges.

3. Apply a bead of NSF-approved sealant to the gap between the unit and the counter. The sealant must be rated for use at 121°C (250°F) or higher.
4. Install the control box. Refer to the "Installing the Control Box" procedure in the INSTALLATION section.
5. Plug unit into a properly grounded electrical outlet of the correct voltage, size, and plug configuration. See the SPECIFICATIONS section for details.

Countertop Cutout Chart — No Trim Ring

Model	Width	Depth
HBGBHC-1414	358 mm (14-1/16")	358 mm (14-1/16")
HBGBHC-2414	608 mm (23-15/16")	358 mm (14-1/16")
HBGBHC-3014	758 mm (29-13/16")	358 mm (14-1/16")
HBGBHC-3614	908 mm (35-3/4")	358 mm (14-1/16")
HBGBHC-4814	1210 mm (47-5/8")	358 mm (14-1/16")
HBGBHC-6014	1510 mm (59-7/16")	358 mm (14-1/16")
HBGBHC-7214	1810 mm (71-1/4")	358 mm (14-1/16")

1. PRODUCT WARRANTY

Hatco warrants the products that it manufactures (the "Products") to be free from defects in materials and workmanship, under normal use and service, for a period of one (1) year from the date of purchase when installed and maintained in accordance with Hatco's written instructions or 18 months from the date of shipment from Hatco. Buyer must establish the Product's purchase date by registering the Product with Hatco or by other means satisfactory to Hatco in its sole discretion.

Hatco warrants the following Product components to be free from defects in materials and workmanship from the date of purchase (subject to the foregoing conditions) for the period(s) of time and on the conditions listed below:

a) Two (2) Year Parts Warranty:

Conveyor Toaster Elements (metal sheathed)
 Drawer Warmer Elements (metal sheathed)
 Drawer Warmer Drawer Rollers and Slides
 Strip Heater Elements (metal sheathed)
 Display Warmer Elements (metal sheathed air heating)
 Holding Cabinet Elements (metal sheathed air heating)
 Heated Well Elements — HW and HWB Series
 (metal sheathed)

b) Five (5) Year Parts Warranty:

3CS and FR Tanks

c) Ten (10) Year Parts Warranty:

Electric Booster Heater Tanks
 Gas Booster Heater Tanks

d) Ninety (90) Day Parts Warranty:

Replacement Parts

THE FOREGOING WARRANTIES ARE EXCLUSIVE AND IN LIEU OF ANY OTHER WARRANTY, EXPRESSED OR IMPLIED, INCLUDING BUT NOT LIMITED TO ANY IMPLIED WARRANTY OF MERCHANTABILITY OR FITNESS FOR A PARTICULAR PURPOSE OR PATENT OR OTHER INTELLECTUAL PROPERTY RIGHT INFRINGEMENT.

Without limiting the generality of the foregoing, SUCH WARRANTIES DO NOT COVER: Coated incandescent light bulbs, fluorescent lights, heat lamp bulbs, coated halogen light bulbs, halogen heat lamp bulbs, xenon light bulbs, LED light tubes, glass components, and fuses; Product failure in booster tank, fin tube heat exchanger, or other water heating equipment caused by liming, sediment buildup, chemical attack, or freezing; or Product misuse, tampering or misapplication, improper installation, or application of improper voltage.

2. LIMITATION OF REMEDIES AND DAMAGES

Hatco's liability and Buyer's exclusive remedy hereunder will be limited solely to replacement of part or Product using, at Hatco's option, new or refurbished parts or Product by Hatco or a Hatco-authorized service agency with respect to any claim made within the applicable warranty period referred to above. Hatco reserves the right to accept or reject any such claim in whole or in part. In the context of this Limited Warranty, "refurbished" means a part or Product that has been returned to its original specifications by Hatco or a Hatco-authorized service agency. Hatco will not accept the return of any Product without prior written approval from Hatco, and all such approved returns shall be made at Buyer's sole expense. HATCO WILL NOT BE LIABLE, UNDER ANY CIRCUMSTANCES, FOR CONSEQUENTIAL OR INCIDENTAL DAMAGES, INCLUDING BUT NOT LIMITED TO LABOR COSTS OR LOST PROFITS RESULTING FROM THE USE OF OR INABILITY TO USE THE PRODUCTS OR FROM THE PRODUCTS BEING INCORPORATED IN OR BECOMING A COMPONENT OF ANY OTHER PRODUCT OR GOODS.

SERVICE INFORMATION

The warranty on this Hatco unit is for one year from date of purchase or eighteen months from date of shipping from Hatco, whichever occurs first.

If you experience a problem with this unit during the warranty period, please do the following:

Contact Local Hatco Dealer

When contacting the Hatco dealer for service assistance, please supply the dealer with the following information to ensure prompt processing:

- Model of unit
- Serial number (located on the unit)
- Specific problem with the unit
- Date of purchase
- Name of business
- Shipping address
- Contact name and phone number

The Hatco dealer will do the following:

- Provide replacement part(s) as required
- Submit warranty claim to Hatco for processing

Non-Warranty Problems

If you experience a non-warranty problem that requires assistance, please contact the nearest Authorized Hatco Service Agency.

To locate the nearest Service Agency:

- access our website at www.hatcocorp.com, select the *Support* pull-down menu, and click on "Find A Service Agent"
- call Hatco Service at +1-414-671-6350
- e-mail Hatco Service at support@hatcocorp.com

使用者重要注意事项	12	操作	18
简介	12	总则	18
重要安全说明	13	更改设定温度	18
型号说明	14	维护保养	19
型号命名	14	总则	19
规格	14	每日清洁	19
插头配置	14	清理粘稠物溢漏	19
尺寸	15	清理烧焦残留	19
电气参数表	15	清理金属痕迹和划痕	19
安装	16	故障处理指南	20
总则	16	选配及配件	20
安装控制盒	16	全球有限质保	21
台面开孔图	17	服务事项	21
控制盒安装尺寸	17		

使用者重要注意事项

请在下面空白处记录产品型号、序列号（规格标签位于产品底部）、电压和购买日期。当致电赫高寻求服务时，请提供这些信息。

型号 _____

序列号 _____

电压 _____

购买日期 _____

工作时间： 北京时间 上午 9:00 – 下午 6:00

电话： (0512) 6732-5091

E-mail: infocn@hatcocorp.com

查询更多信息请访问我们的网站：www.hatcocorp.com

简介

赫高嵌入式黑玻璃保温板专为食品保温，且能融入周围的装饰设计中。本产品能在不影响食物口味的情况下将食物维持在合适的食用温度。产品配有一个恒温控制玻璃保温底座，可以延长食品的保温时间。

赫高嵌入式黑玻璃保温板是我公司经过广泛研究和大量现场测试的产品。所选材料都是耐久性极强、外表美观、性能极佳。每个产品在出厂前都要经过严密的检查和测试。

本手册提供黑玻璃保温板的安装、安全和操作说明方面的信息。赫高建议用户在安装或是操作产品前仔细阅读本手册的所有内容。

本手册中的安全信息采用以下标志表示：



“警告”表示有危险情况，如果不加以避免，则可能导致人身伤亡。



“小心”表示有危险情况，如果不加以避免，则可能导致轻度或中度人身伤害。



“注意”用于提示不会涉及人身伤害的操作。

注意： 请参阅本手册封底上的符号标识表，了解本手册中可能出现的符号的定义。

⚠ 使用本设备前，请仔细阅读下列重要安全事项，以免造成严重的人身伤亡及设备或财产的损坏。

⚠ 警告

触电危险：

- 请将产品插入正确接地的插座装置，该装置的电压、尺寸和插头配置都要正确。如果插头和插座不匹配，请联系专业电工来确定并安装电压和大小合适的电源插座。
- 远程式控制盒必须垂直安装在竖直墙壁上。若将控制盒安装在水平位置，可能会导致液体聚集进而导致触电。
- 关闭电源开关，拔下电源线，让机器冷却，然后再进行清洗、调整或维护操作。
- 不得将设备浸入水中。本设备不具备防水性能。如果设备被水浸泡，不得进行操作。
- 本产品不防水。请将产品放在室内温度高于21°C (70°F) 的环境中。
- 不得用蒸汽或使用过多的水清洁本设备。
- 本设备不具备“防喷淋”结构。请勿使用喷淋头清洁本设备。
- 如果电源线出现磨损，请停止使用。
- 如果电源线损坏，为了避免危险，必须由制造商、其维修部门或类似部门的专业人员更换。
- 维修时只能使用正宗的Hatco 更换零部件。未使用正宗Hatco 更换零部件会造成质保无效，并可能造成设备操作人员受到有害电压威胁，并引起触电或着火。正宗Hatco 更换零部件可以保证使用环境下的安全生产。某些普通零部件不具备相关特性，从而无法在Hatco 设备内安全使用。

着火危险：将产品放置在离可燃墙壁和其他材料至少25毫米(1")的地方。如果不保持安全距离，可能会引起可燃墙壁和其他材料起火或变色。

确保食品在放入设备前已被加热至适当的食品安全温度。未能正确加热食品可能会导致严重的健康风险。本设备仅限存放预热食品。

本设备不含“用户维修”零部件。如需维修，请联系赫高授权服务机构或赫高服务部门，电话 (0512) 6732-5091。

确保所有操作人员都已了解如何安全和妥善地使用本设备。

对于身体、感官或智力上有缺陷，或经验和知识有欠缺的人（包括儿童），此说明书不适用。

⚠ 小心

燃烧危险：本设备的某些外表面处温度较高。接触这些部位时请务必小心。

将本设备置于台面高度适宜、且使用方便的位置。放置位置应水平，以防止本设备或其部件以外落地，并有足够的强度支撑本设备及其部件的重量。

若控制盒未如安装指示安装，请勿操作嵌入式机型。

玻璃台面的凹痕或压痕可能是由于粘稠物溢漏。一旦出现凹痕或压痕，必须更换玻璃台面。为了防止碎玻璃造成更多损坏或伤害，请立即停止使用产品并与赫高授权服务代理联系。

注意

因赫高产品产生的热量而对台面材料造成的损坏，不在赫高公司的保修范围内。请联系台面材料的厂家解决。

请勿修改布线或剪断节温器管以增加远程安装距离。剪断节温器管会导致产品过热，可能会损坏产品以及周围台面。

在产品完全清理干净前，请勿运行产品。陶瓷玻璃台面必须要保持清洁，以防台面上的残留物燃烧。

请勿将锅体在玻璃台面上滑动，锅底材质不能过于粗糙，且不能将任何东西砸向玻璃台面。这些都可能对台面刮伤或破损。因使用不当而导致的玻璃台面破损不在赫高的保修范围内。

请使用清洗陶瓷玻璃台面专用的擦拭巾、棉布和清洁剂，其他的擦拭巾、棉布和清洁剂可能会损坏陶瓷玻璃台面。

不要将壁挂遥控控制盒安装在温度高于 29°C (85°F) 的区域。过高的温度将导致控制器过热、故障和失灵。

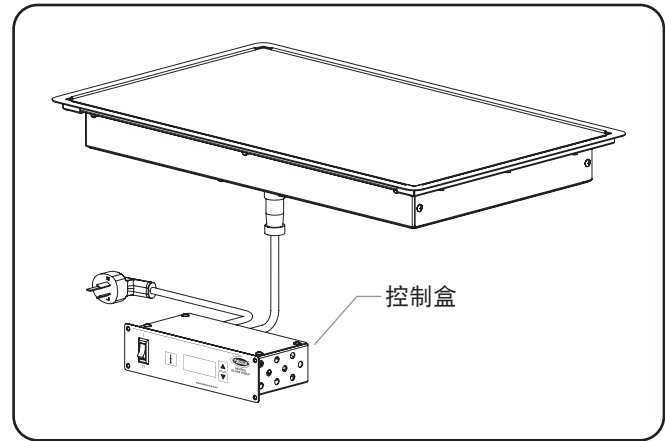
所有型号

所有的赫高嵌入式黑玻璃保温板可用于传菜区、餐柜或开胃食品的保温。如果需要，可以直接将食品放在玻璃表面上。标准设备包括一个电源照明开关、一个恒温加热陶瓷玻璃板和一个钢制底座。

每个嵌入式黑玻璃保温板都配备一个不锈钢安装边框，一个远程数字控制盒，连接控制盒的导管为1829毫米(6')。每个保温板都配有一条长1829毫米(6')、带插头的电源线，连接控制盒与电源。

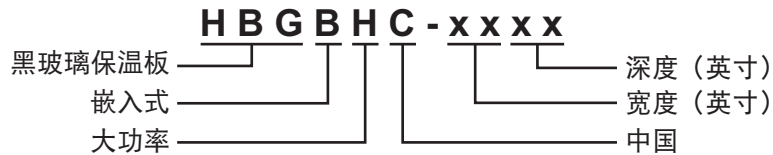
设备有七种可用型号： HBGBHC-1414、HBGBHC-2414、HBGBHC-3014、HBGBHC-3614、HBGBHC-4814、HBGBHC-6014 和 HBGBHC-7214。

注意： 提供无装饰环选项。请参阅 本手册的“选项及附件”部分了解详细信息。



HBGBHC型号

型号命名



规格

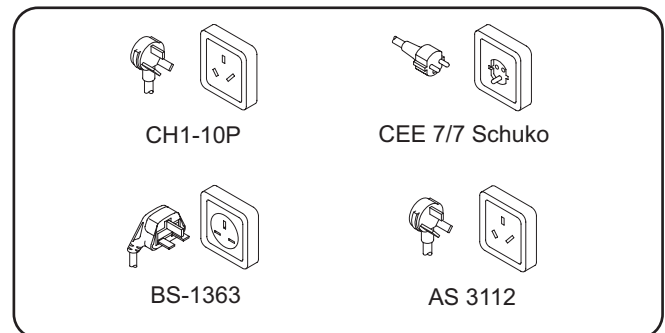
插头配置

产品出厂时配有一根已装好的电源线和插头。插头是根据实际应用情况来配备的。



触电危险： 将产品插入正确接地的插座装置，该装置的电压、尺寸和插头插座都要正确。如果插头和插座不匹配，请联系专业电工来确定并安装电压和大小合适的电源插座。

注意： 插座非赫高产品。

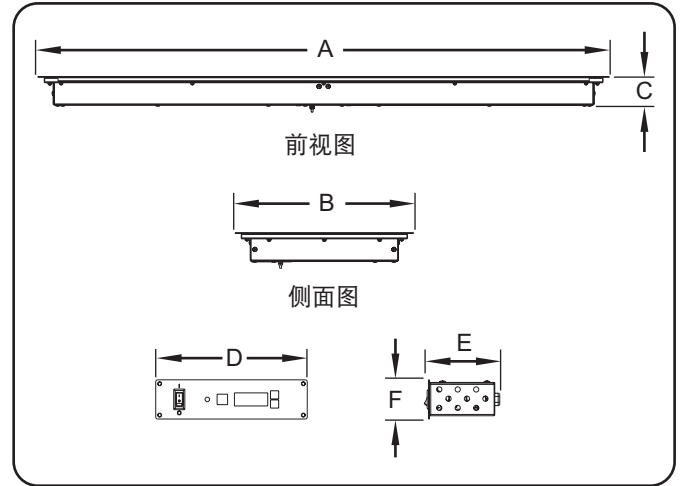


插头配置

尺寸

型号	宽度 (A)	深度 (B)	高度 (C)
HBGBHC-1414	388 mm (15-1/4")	388 mm (15-1/4")	62 mm (2-1/2")
HBGBHC-2414	638 mm (25-1/8")	388 mm (15-1/4")	62 mm (2-1/2")
HBGBHC-3014	788 mm (31")	388 mm (15-1/4")	62 mm (2-1/2")
HBGBHC-3614	938 mm (37")	388 mm (15-1/4")	62 mm (2-1/2")
HBGBHC-4814	1241 mm (48-7/8")	388 mm (15-1/4")	62 mm (2-1/2")
HBGBHC-6014	1541 mm (60-3/4")	388 mm (15-1/4")	62 mm (2-1/2")
HBGBHC-7214	1841 mm (72-1/2")	388 mm (15-1/4")	62 mm (2-1/2")

型号	宽度 (D)	深度 (E)	高度 (F)
遥控盒	232 mm (9-1/8")	116 mm (4-5/8")	60 mm (2-3/8")



注意

实际台面和遥控盒开孔尺寸请参考本手册的安装部分。

电气参数表

型号	电压	功率	电流	插头配置	出厂重量
HBGBHC-1414	220	224	1.0	CH1-10P, BS-1363, CEE 7/7 Schuko, AS 3112	9 kg (20 lbs.)
	230	245	1.1		
	240	267	1.1		
HBGBHC-2414	220	393	1.8	CH1-10P, BS-1363, CEE 7/7 Schuko, AS 3112	12 kg (27 lbs.)
	230	430	1.9		
	240	468	2.0		
HBGBHC-3014	220	505	2.3	CH1-10P, BS-1363, CEE 7/7 Schuko, AS 3112	15 kg (32 lbs.)
	230	550	2.4		
	240	600	2.5		
HBGBHC-3614	220	613	2.8	CH1-10P, BS-1363, CEE 7/7 Schuko, AS 3112	17 kg (37 lbs.)
	230	670	2.9		
	240	730	3.0		
HBGBHC-4814	220	787	3.6	CH1-10P, BS-1363, CEE 7/7 Schuko, AS 3112	25 kg (54 lbs.)
	230	860	3.7		
	240	935	3.9		
HBGBHC-6014	220	1005	4.6	CH1-10P, BS-1363, CEE 7/7 Schuko, AS 3112	29 kg (64 lbs.)
	230	1100	4.8		
	240	1200	5.0		
HBGBHC-7214	220	1225	5.6	H1-10P, BS-1363, CEE 7/7 Schuko, AS 3112	34 kg (74 lbs.)
	230	1340	5.8		
	240	1460	6.1		

注意：产品规格标签位于产品底部。产品序列号和电气信息核实请参见规格标签。

注意：出厂重量包括包装在内。

总则

请按照以下步骤来安装HBGBHC系列产品。



警告

触电危险：本产品不防水。请将产品放在室内温度高于21°C (70°F)的环境中。

着火危险：将产品放置在离可燃墙壁和其他材料至少25毫米 (1")的地方。如果不保持安全距离，可能会引起可燃墙壁和其他材料起火或变色。



小心

将本设备置于台面高度适宜、且使用方便的位置。放置位置应水平，以防止本设备或其部件以外落地，并有足够的强度支撑本设备及其部件的重量。

若控制盒未如安装指示安装，请勿操作嵌入式机型。



注意

因赫高产品产生的热量而对台面材料造成的损坏，不在赫高公司的保修范围内。请联系台面材料厂家解决。

1. 从包装箱中取出产品。

注意：为了避免质保服务发生延误，请完成网上保修登记。详情请参阅重要客户须知部分。

2. 移去产品表面所有的包装带和包装材料。
3. 准备台面开孔。台面开孔尺寸，请参阅“台面开孔图”。
4. 准备远程控制盒开孔。
 - a. 开孔请参阅“控制盒安装尺寸”和螺丝孔的尺寸。
 - b. 执行开孔和预钻螺丝孔。

注意：请参阅“选件及附件”部分，了解具有可选“无装饰环”功能的型号的安装信息。

5. 从设备的底部取下控制盒。
6. 在工作台面开孔的顶部边缘和装饰安装环的底面涂抹一点经 NSF 批准的密封胶。密封胶必须能够在121°C (250°F) 或更高的温度下使用。
7. 将产品安装至台面开孔上。
 - a. 将产品安装至台面开孔上；
 - b. 移去产品周围多余的密封胶。
8. 安装控制盒。请参阅本节中的“控制盒安装”程序步骤。
9. 请将产品插入正确接地的插座装置，插座装置的电压、尺寸和插头配置都要正确。详情请参阅产品规格部分。

安装控制盒

请按照以下步骤安装远程式控制盒。



警告

触电危险：远程式控制盒必须垂直安装在竖直墙壁上。若将控制盒安装在水平位置，可能会导致液体聚集进而导致触电。



注意

请勿修改布线或剪断节温器管以增加远程安装距离。剪断节温器管会导致产品过热，可能会损坏产品以及周围台面。

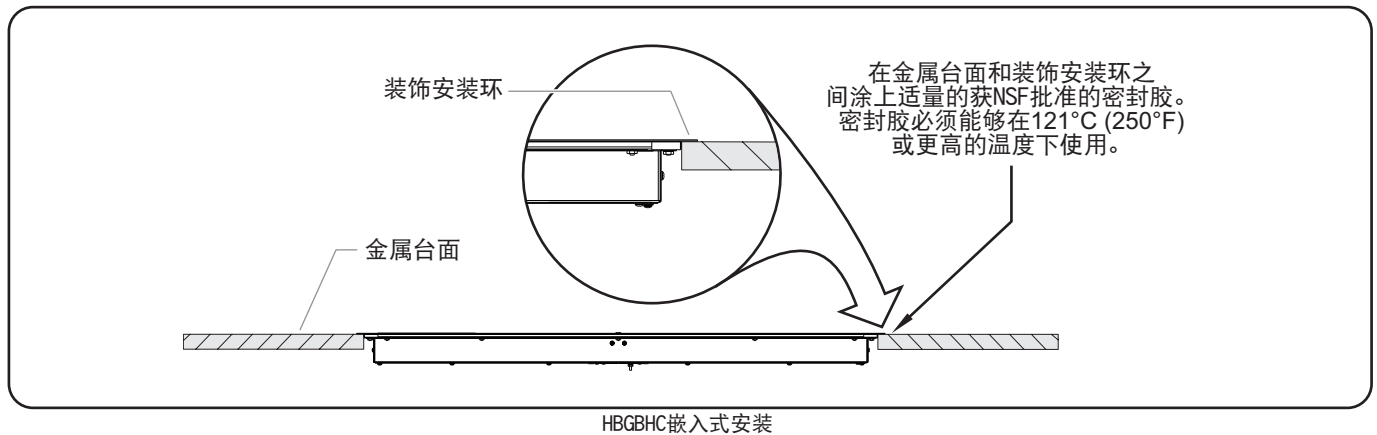
不要将壁挂遥控控制盒安装在温度高于 29°C (85°F) 的区域。过高的温度将导致控制器过热、故障和失灵。

1. 在从设备的底部取下遥控盒之后，将控制盒放入开口。
 - 将控制盒上的孔和安装表面的预钻孔对齐。
2. 用螺丝（赫高不提供）将控制盒拧紧至安装台面上。
3. 将控制盒插入设备的底部。

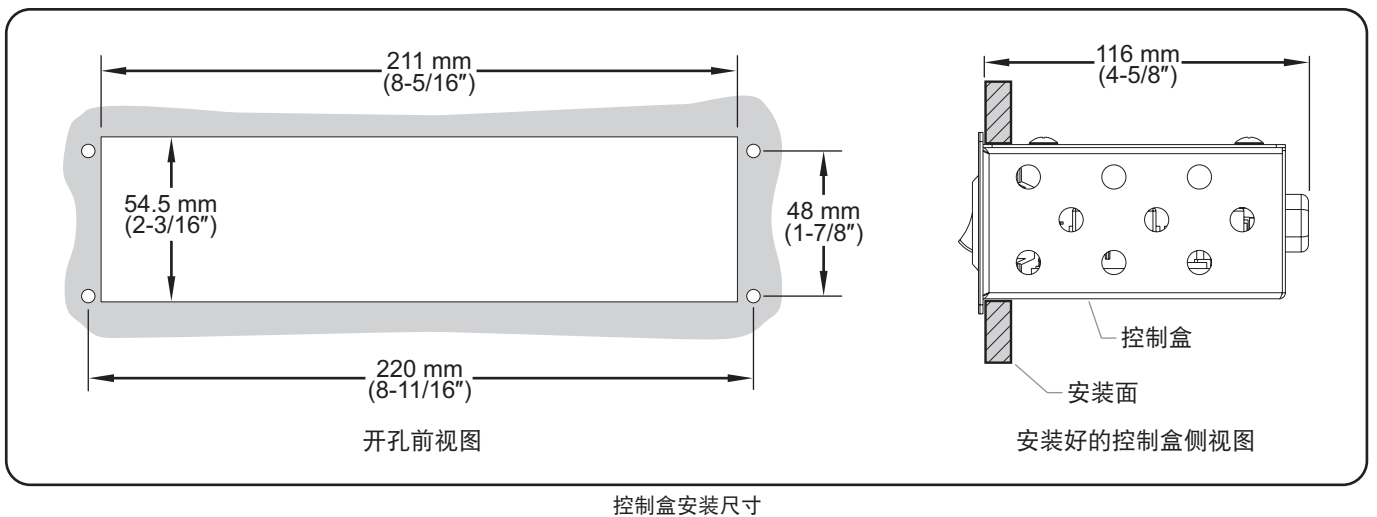
注意：每个产品都配有一条长1829毫米(6')、连接控制盒的导管。

台面开孔图 — 有装饰环

型号	宽度	深度
HBGBHC-1414	367 mm (14-1/2")	365 mm (14-3/8")
HBGBHC-2414	617 mm (24-5/16")	365 mm (14-3/8")
HBGBHC-3014	767 mm (30-1/4")	365 mm (14-3/8")
HBGBHC-3614	917 mm (36-1/8")	365 mm (14-3/8")
HBGBHC-4814	1220 mm (48-1/8")	365 mm (14-3/8")
HBGBHC-6014	1520 mm (59-7/8")	365 mm (14-3/8")
HBGBHC-7214	1820 mm (71-11/16")	365 mm (14-3/8")



控制盒安装尺寸



重要注意事项:

请确保控制盒的安装位置为电气 连接 预留足够的空间。

总则

请使用以下程序打开和操作 Hatco 嵌入式保温玻璃板。



警告

操作本设备前，请仔细阅读“重要安全事项”中的所有安全说明。



注意

在产品完全清理干净前，请勿运行产品。陶瓷玻璃台面必须要保持清洁，以防台面上的残留物燃烧。

请使用清洗陶瓷玻璃台面专用的擦拭巾、棉布和清洁剂，其他擦拭巾、棉布和清洁剂可能会损坏陶瓷玻璃台面。

请勿将锅体在玻璃台面上滑动，锅底的材料不能过于粗糙，且不能将任何东西砸向玻璃台面。这些都可能造成台面刮伤或破损。因使用不当而导致的玻璃台面破损不在赫高的保修范围内。

1. 用擦拭布或湿布来清洁产品的玻璃台面。持续每日清洁让台面清洁变得轻松省力并可以保护玻璃台面。
2. 将设备插入电压、尺寸及插头配置均正确且妥当接地的电气插座中。有关详细信息，请参阅“规格”部分。
3. 将电源开关（输入/输出）键移至开（输入）键。
 - 产品会自动加热至设定温度。
 - 请参阅“更改设定温度”步骤来调整设定温度。



小心

燃烧危险：本设备的某些外表面处温度较高。接触这些部位时请务必小心。

4. 让产品运行30分钟来达到工作温度。

更改设定温度

请按照下列步骤来调整设定温度。

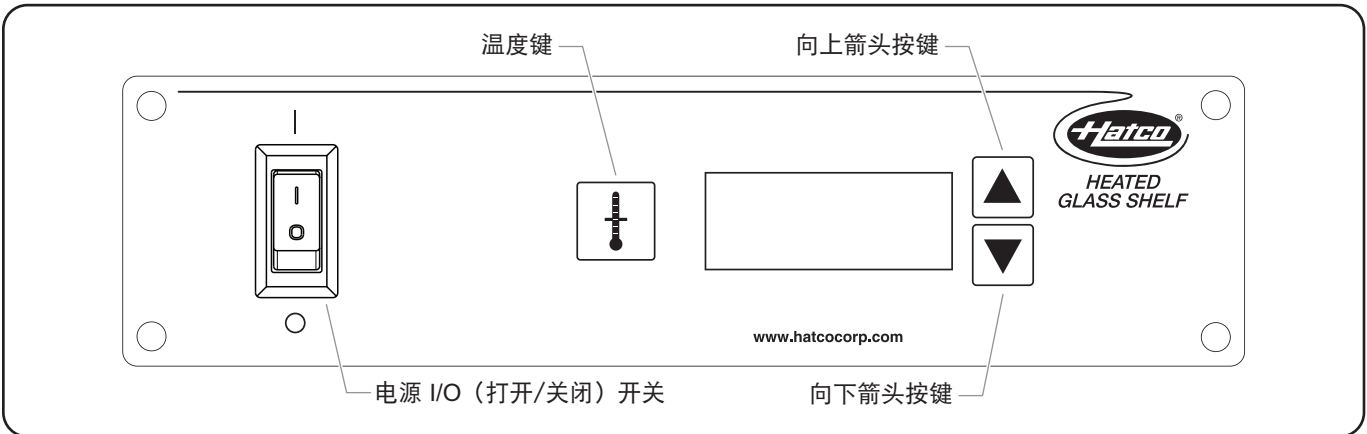


注意

产品的设定温度一定不能超过125°C (257°F)。温度超过125°C (257°F)会损坏产品并使保修无效。

注意：产品温度低于54°C (130°F)时，可能会导致显示屏上的温度显示不准确。

1. 按 键。当前的设定点温度将显示在温度显示屏上。
2. 按 键或 长按 8 秒可更改设定点温度。



控制盒安装尺寸

总则

嵌入式保温玻璃板的设计经久耐用、性能优异且易于维护。

警告

触电危险:

- 将电源开关切换到“关”，拔去电源线，让产品冷却，然后再进行任何清洗、调试或保养。
- 不得将设备浸入水中。本设备不具备防水性能。如果设备被水浸泡，不得进行操作。
- 本设备不具备“防喷淋”结构。请勿使用喷淋头清洁本设备。

本设备不含“用户维修”零部件。如需维修，请联系赫高授权服务机构或赫高服务部门，电话 (0512) 6732-5091。

注意

在产品完全清理干净前，请勿运行产品。陶瓷玻璃台面必须要保持清洁，以防台面上的残留物燃烧。

请使用清洗陶瓷玻璃台面专用的擦拭巾、棉布和清洁剂，其他的擦拭巾、棉布和清洁剂可能会损坏陶瓷玻璃台面。

日常清洁

持续每日清洁让台面清洁变得轻松省力并可以保护玻璃台面。

请使用清洗陶瓷玻璃台面专用的擦拭巾、棉布和清洁剂。

1. 每天使用产品前，请用擦拭布或湿布来清洁产品的玻璃台面。
2. 每天使用完产品后：
 - a. 关闭设备，拔掉电源线，并让产品完全冷却。
 - b. 用擦拭布或湿布来清洁产品的玻璃台面。若需进一步清洁，请参照本节中的“清理烧焦残留”步骤。

清理粘稠物溢漏

清理粘稠物溢漏时，应该让产品保持一定的温度，从而更好地清理粘稠物。

1. 关闭产品，并拔掉电源线。**注意！烧伤危险——保温玻璃会很烫，触摸玻璃时要格外小心。**
2. 产品若仍是热的，戴上烤箱手套，用纸巾将大部分粘稠溢漏物清理干净。
3. 让产品完全冷却。
4. 参照本节中“清洁烧焦残留”部分清除剩余溢漏物。
5. 直到溢漏物完全清理干净前，请勿使用产品。

小心

玻璃台面的凹痕或压痕可能是由于粘稠物遗漏。一旦出现凹痕或压痕，玻璃台面必须更换。为了防止碎玻璃造成更多损坏或伤害，请立即停止使用产品并与赫高授权服务代理联系。

清理烧焦残留

要清理烧焦残留，可能需要使用陶瓷玻璃清洗剂。

1. 关闭产品，拔掉电源线，让产品完全冷却。
2. 在残留物区域表面滴几滴陶瓷玻璃专用清洗剂。
3. 用擦拭布适力擦拭残留物区域。
4. 若仍有残留，必要时请重复上述步骤。
5. 所有残留物清理干净后，用陶瓷玻璃清洁剂和纸巾擦亮整个玻璃表面。

清理金属痕迹和划痕

锅体造成的金属痕迹和划痕，通常可以被清理。使用产品时请将锅小心放置到玻璃台面。为了避免金属痕迹和划痕，请勿将锅体在玻璃台面上滑动。

1. 关闭产品，拔掉电源线，让产品完全冷却。
2. 在划痕区域表面滴几滴陶瓷玻璃专用清洗剂。
3. 用擦拭布适力擦拭划痕区域。
4. 若仍有金属痕迹和划痕，必要时请重复上述步骤。

注意：检查所有锅底，以防其粗糙材质刮伤玻璃台面。

注意：粘稠物溢漏或粗糙锅底对产品造成的损坏不在赫高的保修范围内。

**警告**

本设备只能由受过培训且具备相应资格的人员负责维修。若由不具备相应资格的人员维修，则可能引起触电或着火。

**警告**

触电警告：在进行任何清洁、调整或维护之前，请先关闭电源开关，拔下电源线，并使设备冷却。

症状	可能原因	纠正措施
产品太热。	设定温度太高。	将设定温度调低。
	产品未连接到正确电源。	让专业电工来检查电源是否与产品规格一致。
产品不够热。	设定温度太低。	将设定温度调高。
	产品位置周围（空调管道或排气扇附近）有过量的空气流动。	阻止空气流动或移动产品位置。
产品不能运行。	产品未连接电源。	将产品连接至正确电源。
	未开始运行产品。	将电源开关（输入/输出）键移至开（输入）键。
	电源开关（输入/输出）键有问题。	联系授权服务代理商或赫高以获得帮助。
	加热元件烧坏了。	
远程式控制盒有问题。		

对问题进行故障针对？

如果您的困境在问题解决后仍无法解除，请联系距您最近的经过授权的服务代理或 Hatco 以寻求帮助。请查找最近的服务机构，请登录 Hatco 网站 www.hatcocorp.com，选择 支持 下拉菜单，然后单击“查找服务代理”；或者联系 Hatco 零部件和服务团队：

电话： (0512) 6732-5091

电子邮件： infocn@hatcocorp.com

选配及配件

安装有/无装饰环的 HBGBHC 型号

所有 HBGBHC 型号都可以选择不带装饰环。无装饰环的设备需要专业安装。

在安装无装饰环的型号时，请使用以下步骤：

1. 准备工作台面开口。请参阅“工作台面开孔图 — 无装饰环”，了解建议的工作台面开孔尺寸。
2. 从底部支撑设备，为设备和所有组件的重量提供足够的支撑。

注意：设备的上表面应与台面齐平或者略微凹陷。如果上表面高于台面表面，移动餐盘越过边缘可能损坏边缘。

3. 在设备和台面之间的缝隙涂上一层经 NSF 批准的密封胶。密封胶的额定使用温度是 121°C (250°F) 或更高。
4. 安装控制盒。请参阅“安装”部分中的“安装控制盒”程序。
5. 将设备插入电压、尺寸及插头配置均正确且妥当接地的电气插座中。有关详细信息，请参阅“规格”部分。

工作台面开孔图 — 无装饰环

型号	宽度	深度
HBGBHC-1414	358 mm (14-1/16")	358 mm (14-1/16")
HBGBHC-2414	608 mm (23-15/16")	358 mm (14-1/16")
HBGBHC-3014	758 mm (29-13/16")	358 mm (14-1/16")
HBGBHC-3614	908 mm (35-3/4")	358 mm (14-1/16")
HBGBHC-4814	1210 mm (47-5/8")	358 mm (14-1/16")
HBGBHC-6014	1510 mm (59-7/16")	358 mm (14-1/16")
HBGBHC-7214	1810 mm (71-1/4")	358 mm (14-1/16")

1. 产品质保

赫高保证其生产的产品（下称“本产品”）不存在材料和工艺缺陷，在按照赫高的说明书安装和维护的情况下，自购买之日起1年内（用户必须书面且保养）或自赫高出厂之日起18个月内，设备可以保证正常工作。客户必须通过在赫高的官网上完成本产品的注册来确定产品的购买日期，或是经由赫高判断进而认可的其他方式。

赫高保证在下述时间内及条件下，下列部件自购买之日起（符合上述条件）起不存在材料和工艺缺陷（条件如下）：

a) 保修期为两（2）年的部件：

- 履带式烤面包机加热器（金属铠装）
- 保温抽屉加热器（金属铠装）
- 保温抽屉的抽屉滚轴和滑轨
- S食品保温器加热器（金属铠装）
- 保温陈列柜加热元件（金属铠装、空气加热）
- 保温柜加热元件（金属铠装、空气加热）
- 保温汤锅加热元件—HWB系列（金属铠装）

b) 保修期为五（5）年的部件：

- 3CS和FR水箱

c) 保修期为十（10）年的部件：

- 电动瞬时加热器的水箱
- 煤气瞬时加热器的水箱

d) 保修期为九十（90）天的部件：

- 可更换零件

上述质保为赫高独家提供，并代替任何明示或隐含的质保，包括但不限于侵犯某个特定用途、专利或其他知识产权的适够性或实用性的银汉质保。在没有特定说明的情况下，上述质保不包括：带涂层白炽灯泡、日光灯、保温加热灯泡、带涂层卤素灯泡、卤素加热灯泡、氙气灯泡、LED光管、玻璃组件和保险丝；由于结垢、化学腐蚀或严寒造成的瞬时加热器水箱、翅片管式换热器或其他水加热设备的故障；或产品使用不当、擅自改动或误用、安装不当，或电压不正确。

2. 修复和损坏限制

本文所述赫高责任以及对用户的独家修复补偿义务仅限于在上述保修期内提出索赔，由赫高或赫高授权的服务机构负责更换新零件或产品或对原零件或产品进行维修。赫高有权接受或拒绝任何此类全部或部分的索赔。在此有限质保规定中，“翻新”是指本产品的部分或整机已经被赫高或赫高授权的服务代理机构修复至原有的产品规格。未经赫高事先书面批准，赫高不接受任何产品的退回，经过赫高同意的产品退回，其相关费用均由用户独自承担。在任何情况下，对于因故或意外而引起的损失，包括但不限于人工费用，或因产品的使用，或不会用，或产品隶属或成为其他产品的一部分而造成的利润损失，赫高将不予负责。

服务事项

此款 Hatco 设备的保修期为自购买之日起 1 年内或 Hatco 发货之日起 18 个月内，以先发生的日期为准。

如果此设备 在保修期内出现问题，请做以下事项：

联系当地 Hatco 经销商

在联系 Hatco 经销商寻求服务帮助时，请为经销商提供以下信息，以确保及时处理：

- 设备型号
- 序列号（位于设备）
- 设备具体问题
- 购买日期
- 商业名称
- 邮寄地址
- 联系人姓名和电话号码

Hatco 经销商会做以下事项：

- 按需提供更换零部件
- 向 Hatco 提交保修索赔以供处理

非保修问题

如果遇到需要帮助的非保修问题，请联系最近的 Hatco 授权服务代理。

查找最近的服务代理：

- 向 Hatco 致电：(0512) 6732-5091
- 向 Hatco 发送电子邮件：infocn@hatcocorp.com

GB Symbol Identification

CN 符号标识



Safety Alert
安全警示



Read Operator's Manual
阅读操作手册



Caution — Hot Surface
小心 — 高温表面



Power ON
电源打开



Power OFF
电源关闭



Standby
待机



Protective Earth Ground
保护性接地



Earth Ground
接地



Equipotential Ground
等电位接地



Alternating Current
交流电



Phase
相位



Water Fill, Low Water
注水, 水位低



Humidity, Humidity Cycle
湿度, 湿度循环

HATCO CORPORATION
P.O. Box 340500
Milwaukee, WI 53234-0500 U.S.A.
Telephone +1-414-671-6350
support@hatcocorp.com
www.hatcocorp.com

**HATCO CORP. FOODSERVICE
EQUIPMENT (SUZHOU) CO. LTD.**
Unit A/No. 9 Weixin Road
Suzhou Industrial Park, Jiangsu, China
Telephone (0512) 6732-5091
info@hatcocorp.com
www.hatcocorp.com